

Prinsco Product Number	SWQU Dia.	Sediment Chamber Storage Volume ft <sup>3</sup>	Oil Chamber Storage Volume ft <sup>3</sup>	Total Storage Volume ft <sup>3</sup>	Inlet /Outlet Stub Diameter (A) in.	SWQU Inlet Invert (B) in. Nominal	SWQU Outlet Orifice Invert (C) in. Nominal	Max Treated Flow Rate @ 140 Sieve Size (CFS)	Max Treated Flow Rate @ 200 Sieve Size (CFS)	Outlet Orifice Dia (D) in.
WQU3620A	36"	72	42	114	10	25.50	23.50	1.51	-	6.6
WQU3620B	36"	72	42	114	10	25.50	23.50	-	0.75	4.7
WQU4220A	42"	92.9	54.2	147.1	12	29.75	27.75	1.77	-	6.9
WQU4220B	42"	92.9	54.2	147.1	12	29.75	27.75	-	0.88	4.9
WQU4820A	48"	121.3	70.8	192.1	12	35.88	33.88	2.31	-	7.9
WQU4820B	48"	121.3	70.8	192.1	12	35.88	33.88	-	1.15	5.6
WQU6020A	60"	172.7	100.7	273.4	15	44.63	42.63	2.97	-	8.5
WQU6020B	60"	172.7	100.7	273.4	15	44.63	42.63	-	1.48	6

THIS DETAIL DEPICTS RECOMMENDED INSTALLATION PRACTICES AND IS NOT INTENDED TO SUPERSEDE ANY NATIONAL, STATE OR LOCAL SPECIFICATIONS. PRINSCO BEARS NO RESPONSIBILITY FOR ANY ALTERATIONS, REVISION AND/OR DEVIATION FROM THIS STANDARD DETAIL. PRINSCO HAS NOT PERFORMED ANY ENGINEERING OR DESIGN SERVICE FOR THIS PROJECT. THE DESIGN ENGINEER SHALL REVIEW THESE DETAILS PRIOR TO CONSTRUCTION TO VERIFY SUITABILITY. © PRINSCO, INC.



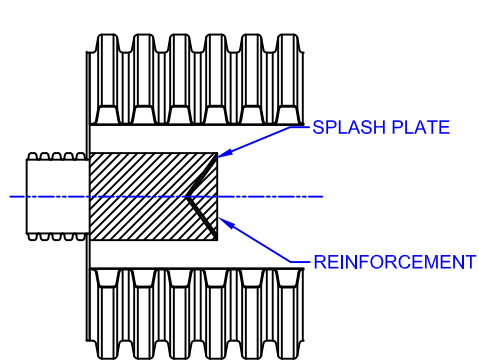
1717 16TH ST. NE 3RD FLOOR WILLMAR, MN 56201

SWQU 20FT PRODUCT DETAIL

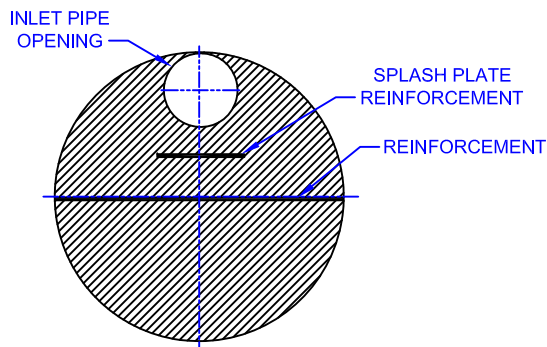
DRAWN BY: RWM  
 DATE: 01/05/2011  
 SCALE: NTS  
 SHEET: 1 OF 2

DRAWING NUMBER:

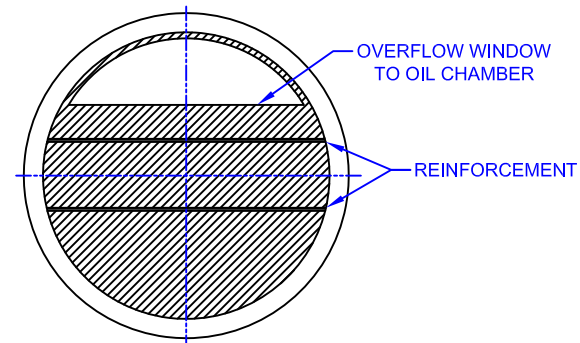
D-4-100



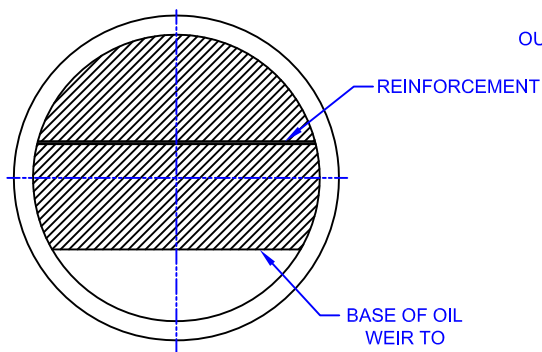
**A** SPLASH PLATE DETAIL  
100 SCALE: NTS



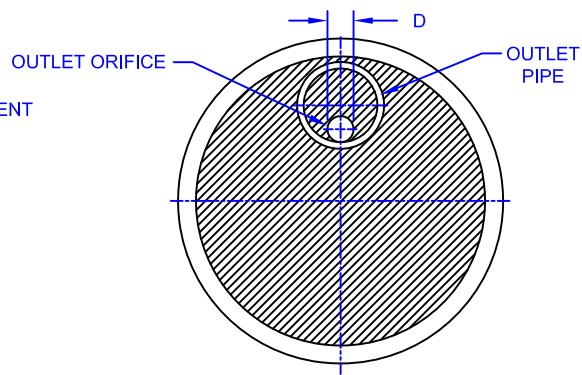
**B** INLET PLATE DETAIL  
100 SCALE: NTS



**C** CENTER PLATE DETAIL  
100 SCALE: NTS



**D** OIL WEIR DETAIL  
100 SCALE: NTS



**E** OUTLET PLATE DETAIL  
100 SCALE: NTS

**NOTES:**

- SWQU SHOWN IS PRINSCO'S STANDARD SWQU. CUSTOM UNITS ARE AVAILABLE, PLEASE CONTACT YOUR PRINSCO SALES REPRESENTATIVE FOR MORE INFORMATION.

THIS DETAIL DEPICTS RECOMMENDED INSTALLATION PRACTICES AND IS NOT INTENDED TO SUPERSEDE ANY NATIONAL, STATE OR LOCAL SPECIFICATIONS. PRINSCO BEARS NO RESPONSIBILITY FOR ANY ALTERATIONS, REVISION AND/OR DEVIATION FROM THIS STANDARD DETAIL. PRINSCO HAS NOT PERFORMED ANY ENGINEERING OR DESIGN SERVICE FOR THIS PROJECT. THE DESIGN ENGINEER SHALL REVIEW THESE DETAILS PRIOR TO CONSTRUCTION TO VERIFY SUITABILITY. © PRINSCO, INC.



1717 16TH ST. NE 3RD FLOOR WILLMAR, MN 56201

**SWQU 20FT PRODUCT DETAIL**

DRAWN BY: RWM  
DATE: 01/05/2011  
SCALE: NTS  
SHEET: 2 OF 2

DRAWING NUMBER:

**D-4-100**