

Prinsco Product Number	SWQU Dia.	Sediment Chamber Storage Volume ft ³	Oil Chamber Storage Volume ft ³	Total Storage Volume ft ³	Inlet /Outlet Stub Diameter (A) in.	SWQU Inlet Invert (B) in. Nominal	SWQU Outlet Orifice Invert (C) in. Nominal	Max Treated Flow Rate @ 140 Sieve Size (CFS)	Max Treated Flow Rate @ 200 Sieve Size (CFS)	Outlet Orifice Dia (D) in.
WQU3640A	36"	152	82	234	10	25.50	23.50	3.21	-	9.6
WQU3640B	36"	152	82	234	10	25.50	23.50	-	1.6	6.8
WQU4240A	42"	196.1	105.8	301.9	12	29.75	27.75	3.74	-	10
WQU4240B	42"	196.1	105.8	301.9	12	29.75	27.75	-	1.86	7.1
WQU4840A	48"	256.1	132.2	388.3	12	35.88	33.88	4.88	-	11.4
WQU4840B	48"	256.1	132.2	388.3	12	35.88	33.88	-	2.44	8.1
WQU6040A	60"	364.6	196.7	561.3	15	44.63	42.63	6.28	-	12.3
WQU6040B	60"	364.6	196.7	561.3	15	44.63	42.63	-	3.14	8.7

THIS DETAIL DEPICTS RECOMMENDED INSTALLATION PRACTICES AND IS NOT INTENDED TO SUPERSEDE ANY NATIONAL, STATE OR LOCAL SPECIFICATIONS. PRINSCO BEARS NO RESPONSIBILITY FOR ANY ALTERATIONS, REVISION AND/OR DEVIATION FROM THIS STANDARD DETAIL. PRINSCO HAS NOT PERFORMED ANY ENGINEERING OR DESIGN SERVICE FOR THIS PROJECT. THE DESIGN ENGINEER SHALL REVIEW THESE DETAILS PRIOR TO CONSTRUCTION TO VERIFY SUITABILITY. © PRINSCO, INC.



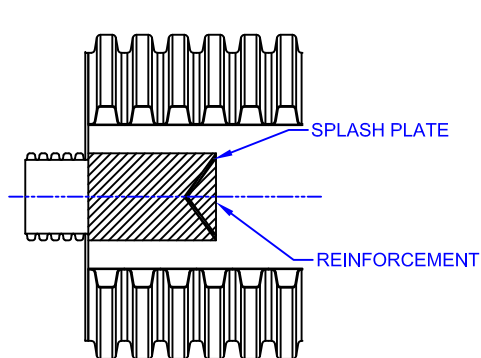
1717 16TH ST. NE 3RD FLOOR WILLMAR, MN 56201

SWQU 40FT PRODUCT DETAIL

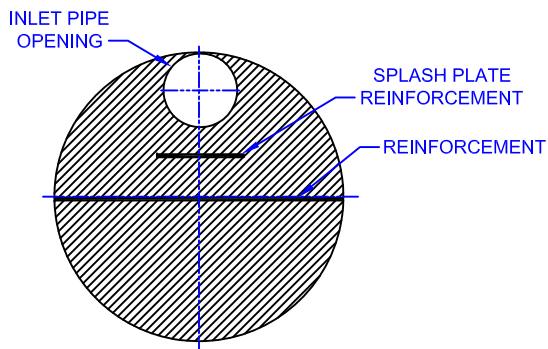
DRAWN BY: RWM
 DATE: 01/05/2011
 SCALE: NTS
 SHEET: 1 of 2

DRAWING NUMBER:

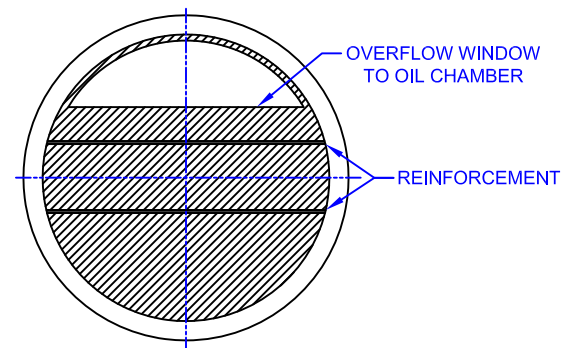
D-4-101



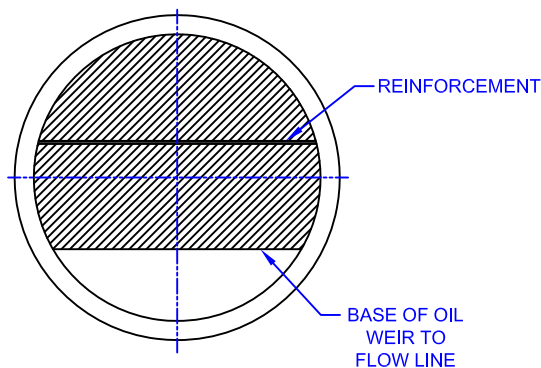
A SPLASH PLATE DETAIL
101 SCALE: NTS



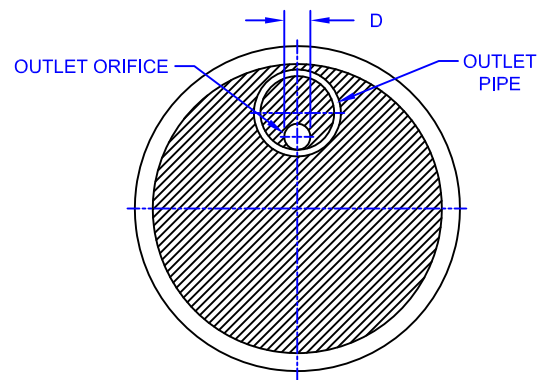
B INLET PLATE DETAIL
101 SCALE: NTS



C CENTER PLATE DETAIL
101 SCALE: NTS



D OIL WEIR DETAIL
101 SCALE: NTS



E OUTLET PLATE DETAIL
101 SCALE: NTS

NOTES:

- SWQU SHOWN IS PRINSCO'S STANDARD SWQU. CUSTOM UNITS ARE AVAILABLE, PLEASE CONTACT YOUR PRINSCO SALES REPRESENTATIVE FOR MORE INFORMATION.

THIS DETAIL DEPICTS RECOMMENDED INSTALLATION PRACTICES AND IS NOT INTENDED TO SUPERSEDE ANY NATIONAL, STATE OR LOCAL SPECIFICATIONS. PRINSCO BEARS NO RESPONSIBILITY FOR ANY ALTERATIONS, REVISION AND/OR DEVIATION FROM THIS STANDARD DETAIL. PRINSCO HAS NOT PERFORMED ANY ENGINEERING OR DESIGN SERVICE FOR THIS PROJECT. THE DESIGN ENGINEER SHALL REVIEW THESE DETAILS PRIOR TO CONSTRUCTION TO VERIFY SUITABILITY. © PRINSCO, INC.



1717 16TH ST. NE 3RD FLOOR WILLMAR, MN 56201

SWQU 40FT PRODUCT DETAIL

DRAWN BY: RWM
DATE: 01/05/2011
SCALE: NTS
SHEET: 2 OF 2

DRAWING NUMBER:

D-4-101