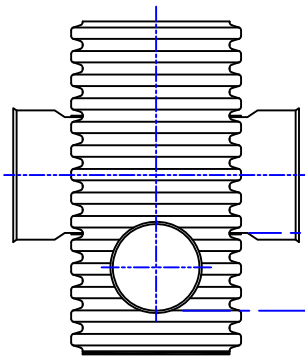
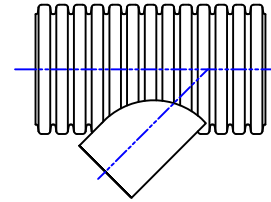
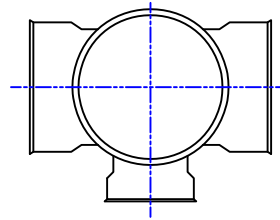
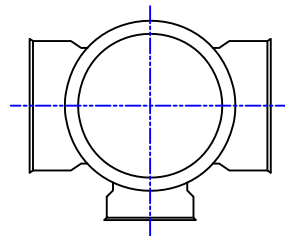


- NOTES:**
- SWQU SHOWN IS PRINSCO'S STANDARD SWQU. CUSTOM UNITS ARE AVAILABLE, PLEASE CONTACT YOU PRINSCO SALES REPRESENTATIVE FOR MORE INFORMATION.

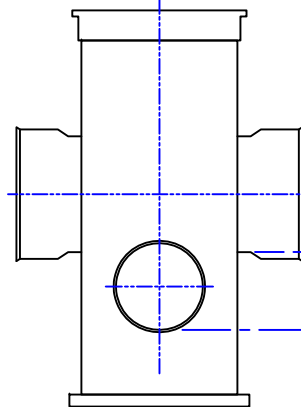
THIS DETAIL DEPICTS RECOMMENDED INSTALLATION PRACTICES AND IS NOT INTENDED TO SUPERSEDE ANY NATIONAL, STATE OR LOCAL SPECIFICATIONS. PRINSCO BEARS NO RESPONSIBILITY FOR ANY ALTERATIONS, REVISION AND/OR DEVIATION FROM THIS STANDARD DETAIL. PRINSCO HAS NOT PERFORMED ANY ENGINEERING OR DESIGN SERVICE FOR THIS PROJECT. THE DESIGN ENGINEER SHALL REVIEW THESE DETAILS PRIOR TO CONSTRUCTION TO VERIFY SUITABILITY. © PRINSCO, INC.

SWQU 20FT BYPASS DETAIL	
DRAWN BY: RWM	DRAWING NUMBER:
DATE: 01/06/2011	D-4-102
SCALE: NTS	
SHEET: 1 of 2	



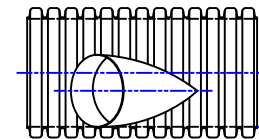
BYPASS FLOW-LINE

SWQU INLET FLOW-LINE



BYPASS FLOW-LINE

SWQU INLET FLOW-LINE



SWQU OUTLET FLOW-LINE

HDPE INLET STRUCTURE
FABRICATED SUMP BASIN
(OPTION I)

SCALE: NTS

PCV INLET STRUCTURE
DRAIN BASIN (OPTION II)

SCALE: NTS

HDPE OUTLET STRUCTURE
FABRICATED SUMP BASIN

SCALE: NTS

NOTES:

- BYPASS STRUCTURE DIMENSIONS WILL VARY BY SWQU DESIGN. PLEASE CONTACT YOUR PRINSCO SALES REPRESENTATIVE FORM AVAILABLE OPTION.
- OTHER STRUCTURES MAY BE USED.

THIS DETAIL DEPICTS RECOMMENDED INSTALLATION PRACTICES AND IS NOT INTENDED TO SUPERSEDE ANY NATIONAL, STATE OR LOCAL SPECIFICATIONS. PRINSCO BEARS NO RESPONSIBILITY FOR ANY ALTERATIONS, REVISION AND/OR DEVIATION FROM THIS STANDARD DETAIL. PRINSCO HAS NOT PERFORMED ANY ENGINEERING OR DESIGN SERVICE FOR THIS PROJECT. THE DESIGN ENGINEER SHALL REVIEW THESE DETAILS PRIOR TO CONSTRUCTION TO VERIFY SUITABILITY. © PRINSCO, INC.



1717 16TH ST. NE 3RD FLOOR WILLMAR, MN 56201

SWQU 20FT BYPASS DETAIL

DRAWN BY: RWM

DRAWING NUMBER:

DATE: 01/06/2011

D-4-102

SCALE: NTS

SHEET: 2 OF 2