

GOLDFLO 2 PIECE 90° ELBOW						
Nominal I.D.		Part #	A (in)	B (in)	C (in)	D (in)
(in)	(mm)					
4	100	GFE04902	9.5	4.8	7.1	3.5
6	150	GFE06902	11.4	7.1	7.8	4.3
8	200	GFE08902	14.6	9.6	9.8	5.0
10	250	GFE10902	19.0	11.9	13.1	7.1
12	300	GFE12902	19.0	14.4	11.8	4.5
15	375	GFE15902	23.2	17.6	14.4	5.5
18	450	GFE18902 (MW)	28.4	21.5	17.7	6.9
		GFE18902 (WC)	28.4	21.4	17.7	7.0
24	600	GFE24902 (MW)	37.7	28.3	23.6	9.4
		GFE24902 (WC)	37.6	28.1	23.6	9.5
30	750	GFE30902 (MW)	45.0	34.9	27.5	10.0
		GFE30902 (WC)	44.8	34.6	27.5	10.2
36	900	GFE36902 (MW)	51.9	40.9	31.4	11.0
		GFE36902 (WC)	51.0	40.7	30.7	10.3
42	1050	GFE42902 (MW)	62.2	47.7	38.3	14.4
		GFE42902 (WC)	56.7	47.4	33.0	9.3
48	1200	GFE48902 (MW)	68.2	53.9	41.2	14.3
		GFE48902 (WC)	64.9	54.3	37.7	10.6
60	1500	GFE60902	80.6	66.9	47.1	13.7

NOTES:

- All pipe and fittings meet the requirements of AASHTO M294 Standard Specification for HDPE Pipe.
- Actual corrugation counts will vary depending on pipe diameter.
- All fitting dimensions are for reference only and actual dimensions may vary slightly.



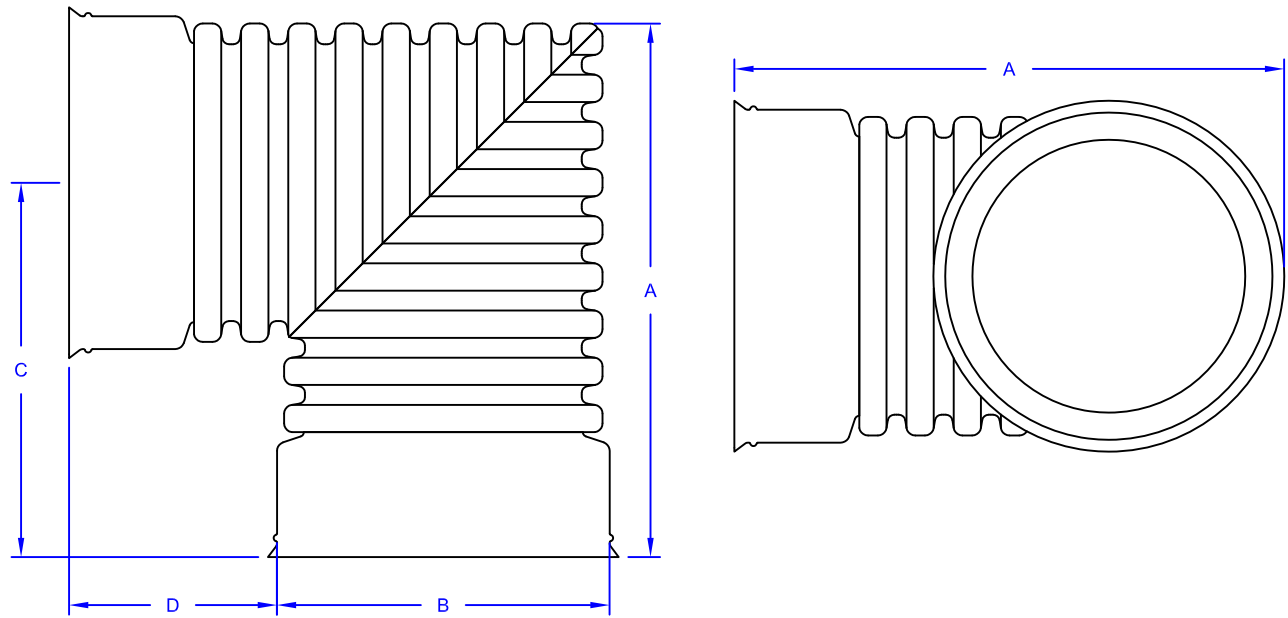
DESCRIPTION:

GOLDFLO 2-PIECE  
90° ELBOW

DRAWN BY: JAJ

SCALE: NTS

DATE: 03/01/2013



GOLDFLO 2 PIECE 90° ELBOW - BELLED						
Nominal I.D.		Part #	A (in)	B (in)	C (in)	D (in)
(in)	(mm)					
12	300	GFE12902B2	25.7	15.1	17.6	10.1
15	375	GFE15902B2	30.4	18.4	20.7	11.5
18	450	GFE18902B2	36.0	22.1	24.4	13.4
24	600	GFE24902B2	47.1	29.2	31.8	17.3

**NOTES:**

- All pipe and fittings meet the requirements of AASHTO M294 Standard Specification for HDPE Pipe.
- Actual corrugation counts will vary depending on pipe diameter.
- All fitting dimensions are for reference only and actual dimensions may vary slightly.



**DESCRIPTION:**

**GOLDFLO 2-PIECE 90°  
ELBOW 12"-24" - BELLED**

**DRAWN BY:** JAJ

**SCALE:** NTS

**DATE:** 03/06/2013