

GOLDFLO 22.5° ELBOW					
Nominal I.D.		Part #	A (in)	B (in)	C (in)
(in)	(mm)				
4	100	GFE0422	4.8	4.4	3.5
6	150	GFE0622	7.1	5.7	4.3
8	200	GFE0822	9.6	6.9	5.1
10	250	GFE1022	11.9	9.5	7.2
12	300	GFE1222	14.4	7.3	4.4
15	375	GFE1522	17.6	9.7	6.3
18	450	GFE1822 (MW)	21.5	11.1	6.9
		GFE1822 (WC)	21.4	10.9	6.7
24	600	GFE2422 (MW)	28.3	14.6	9.0
		GFE2422 (WC)	28.1	14.5	9.0
30	750	GFE3022 (MW)	34.9	17.1	10.1
		GFE3022 (WC)	34.6	15.0	8.6
36	900	GFE3622 (MW)	40.9	17.5	9.4
		GFE3622 (WC)	40.7	18.3	10.6
42	1050	GFE4222 (MW)	47.7	23.3	14.3
		GFE4222 (WC)	47.4	23.1	14.6
48	1200	GFE4822 (MW)	53.9	23.9	13.8
		GFE4822 (WC)	54.3	26.0	15.2
60	1500	GFE6022	66.9	28.0	14.7

NOTES:

- All pipe and fittings meet the requirements of AASHTO M294 Standard Specification for HDPE Pipe.
- Actual corrugation counts will vary depending on pipe diameter.
- All fitting dimensions are for reference only and actual dimensions may vary slightly.



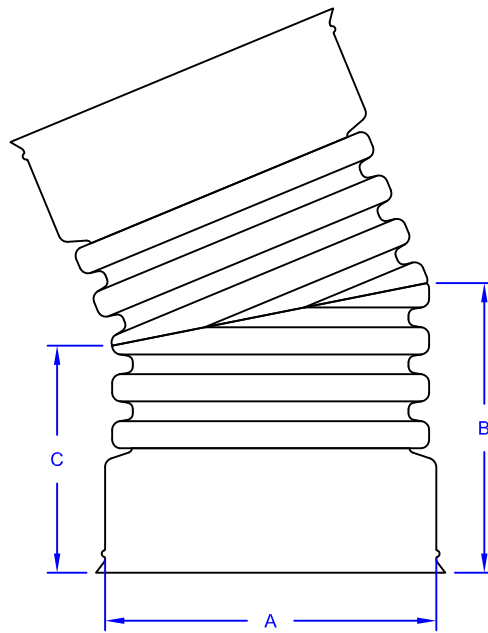
DESCRIPTION:

GOLDFLO 22.5° ELBOW

DRAWN BY: JAJ

SCALE: NTS

DATE: 03/04/2013



GOLDFLO 22.5° ELBOW - BELLED					
Nominal I.D.		Part #	A (in)	B (in)	C (in)
(in)	(mm)				
12	300	GFE1222B2	15.1	13.1	10.3
15	375	GFE1522B2	18.4	16.1	12.6
18	450	GFE1822B2	22.1	17.7	13.5
24	600	GFE2422B2	29.2	22.8	17.3

NOTES:

- All pipe and fittings meet the requirements of AASHTO M294 Standard Specification for HDPE Pipe.
- Actual corrugation counts will vary depending on pipe diameter.
- All fitting dimensions are for reference only and actual dimensions may vary slightly.



DESCRIPTION:

**GOLDFLO 22.5° ELBOW
12"-24" - BELLED**

DRAWN BY: JAJ

SCALE: NTS

DATE: 03/04/2013