

GOLDFLO 3 PIECE 90° ELBOW					
Nominal I.D.		Part #	A (in)	B (in)	C (in)
(in)	(mm)				
4	100	GFE0490	9.5	4.8	7.1
6	150	GFE0690	13.0	7.1	9.5
8	200	GFE0890	17.0	9.6	12.2
10	250	GFE1090	22.6	11.9	16.7
12	300	GFE1290	23.1	14.4	15.9
15	375	GFE1590	29.0	17.6	20.2
18	450	GFE1890 (MW)	35.0	21.5	24.2
		GFE1890 (WC)	35.0	21.4	24.2
24	600	GFE2490 (MW)	46.6	28.3	32.5
		GFE2490 (WC)	46.6	28.1	32.5
30	750	GFE3090 (MW)	54.3	34.9	36.8
		GFE3090 (WC)	52.8	34.6	35.5
36	900	GFE3690 (MW)	59.0	40.9	38.6
		GFE3690 (WC)	64.0	40.7	43.6
42	1050	GFE4290 (MW)	72.8	47.7	49.0
		GFE4290 (WC)	67.4	47.4	43.7
48	1200	GFE4890 (MW)	78.9	53.9	52.0
		GFE4890 (WC)	74.3	54.3	47.2
60	1500	GFE6090	93.8	66.9	60.4

**NOTES:**

- All pipe and fittings meet the requirements of AASHTO M294 Standard Specification for HDPE Pipe.
- Actual corrugation counts will vary depending on pipe diameter.
- All fitting dimensions are for reference only and actual dimensions may vary slightly.



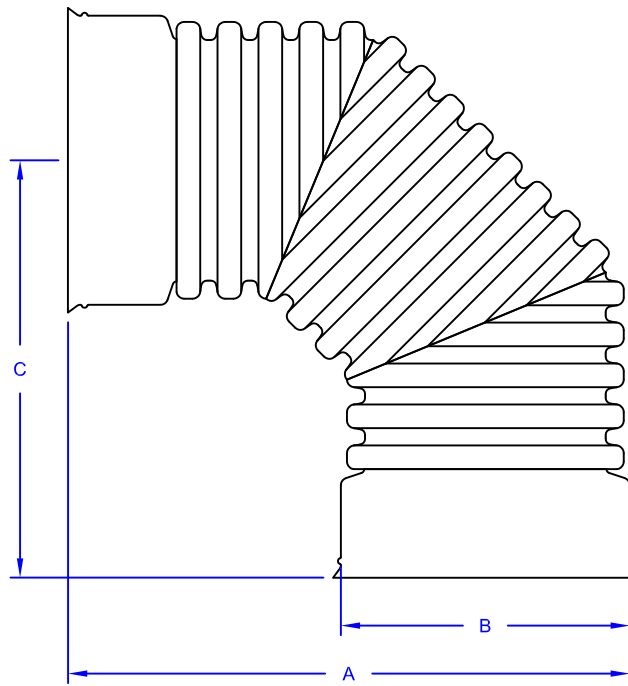
**DESCRIPTION:**

**GOLDFLO 3-PIECE  
90° ELBOW**

DRAWN BY: JAJ

SCALE: NTS

DATE: 03/04/2013



GOLFLO 3 PIECE 90° ELBOW - BELLED					
Nominal I.D.		Part #	A (in)	B (in)	C (in)
(in)	(mm)				
12	300	GFE129B2	29.3	15.1	21.7
15	375	GFE159B2	35.8	18.4	26.6
18	450	GFE189B2	42.1	22.1	31.0
24	600	GFE249B2	55.4	29.2	40.8

NOTES:

- All pipe and fittings meet the requirements of AASHTO M294 Standard Specification for HDPE Pipe.
- Actual corrugation counts will vary depending on pipe diameter.
- All fitting dimensions are for reference only and actual dimensions may vary slightly.



DESCRIPTION:

GOLFLO 3-PIECE 90°  
ELBOW 12"-24" - BELLED

DRAWN BY: JAJ

SCALE: NTS

DATE: 03/06/2013