

GOLDFLO 45° ELBOW					
Nominal I.D.		Part #	A (in)	B (in)	C (in)
(in)	(mm)				
4	100	GFE0445	4.8	5.5	3.5
6	150	GFE0645	7.1	7.0	4.3
8	200	GFE0845	9.6	8.8	5.1
10	250	GFE1045	11.9	11.8	7.1
12	300	GFE1245	14.4	10.7	4.7
15	375	GFE1545	17.6	13.1	6.3
18	450	GFE1845 (MW)	21.5	16.2	7.3
		GFE1845 (WC)	21.4	16.2	7.3
24	600	GFE2445 (MW)	28.3	21.6	9.9
		GFE2445 (WC)	28.1	21.6	10.0
30	750	GFE3045 (MW)	34.9	23.8	10.3
		GFE3045 (WC)	34.6	23.3	9.8
36	900	GFE3645 (MW)	40.9	26.6	9.8
		GFE3645 (WC)	40.7	28.3	12.4
42	1050	GFE4245 (MW)	47.7	33.6	13.8
		GFE4245 (WC)	47.4	30.7	11.1
48	1200	GFE4845 (MW)	53.9	35.0	13.8
		GFE4845 (WC)	54.3	32.5	11.1
60	1500	GFE6045	66.9	41.0	14.6

NOTES:

- All pipe and fittings meet the requirements of AASHTO M294 Standard Specification for HDPE Pipe.
- Actual corrugation counts will vary depending on pipe diameter.
- All fitting dimensions are for reference only and actual dimensions may vary slightly.



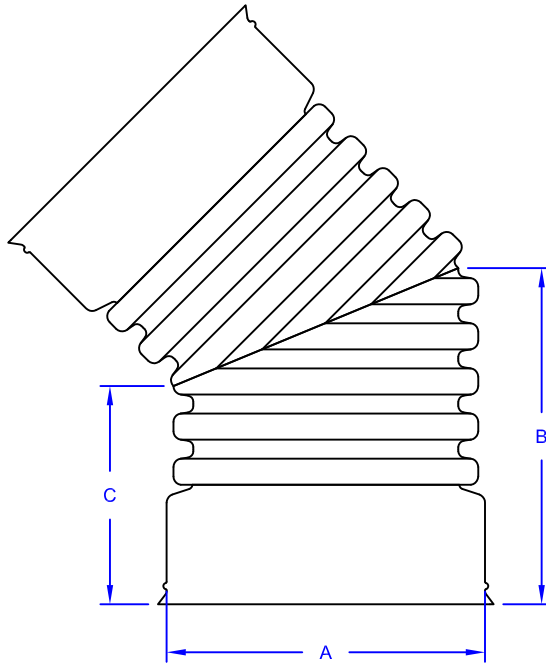
DESCRIPTION:

GOLDFLO 45° ELBOW

DRAWN BY: JAJ

SCALE: NTS

DATE: 03/04/2013



GOLDFLO 45° ELBOW - BELLED					
Nominal I.D.		Part #	A (in)	B (in)	C (in)
(in)	(mm)				
12	300	GFE1245B2	15.1	16.6	10.6
15	375	GFE1545B2	18.4	19.4	12.6
18	450	GFE1845B2	22.1	23.0	14.1
24	600	GFE2445B2	29.2	29.9	18.2

NOTES:

- All pipe and fittings meet the requirements of AASHTO M294 Standard Specification for HDPE Pipe.
- Actual corrugation counts will vary depending on pipe diameter.
- All fitting dimensions are for reference only and actual dimensions may vary slightly.



DESCRIPTION:

GOLDFLO 45° ELBOW
12"-24" - BELLED

DRAWN BY: JAJ

SCALE: NTS

DATE: 03/06/2013