

GOLDFLO CROSS-TEE						
Nominal I.D.		Part #	A (in)	B (in)	C (in)	D (in)
(in)	(mm)					
4	100	GFCT04	4.8	11.8	3.5	5.9
6	150	GFCT06	7.1	15.7	4.3	7.8
8	200	GFCT08	9.6	19.6	5.0	9.8
10	250	GFCT10	11.9	26.1	7.1	13.1
12	300	GFCT12	14.4	23.5	4.5	11.8
15	375	GFCT15	17.6	28.7	5.5	14.2
18	450	GFCT18 (MW)	21.5	35.4	6.9	17.7
		GFCT18 (WC)	21.4	35.4	7.0	17.7
24	600	GFCT24 (MW)	28.3	47.1	9.4	23.6
		GFCT24 (WC)	28.1	47.1	9.5	23.6

NOTES:

- All pipe and fittings meet the requirements of AASHTO M294 Standard Specification for HDPE Pipe.
- Actual corrugation counts will vary depending on pipe diameter.
- All fitting dimensions are for reference only and actual dimensions may vary slightly.



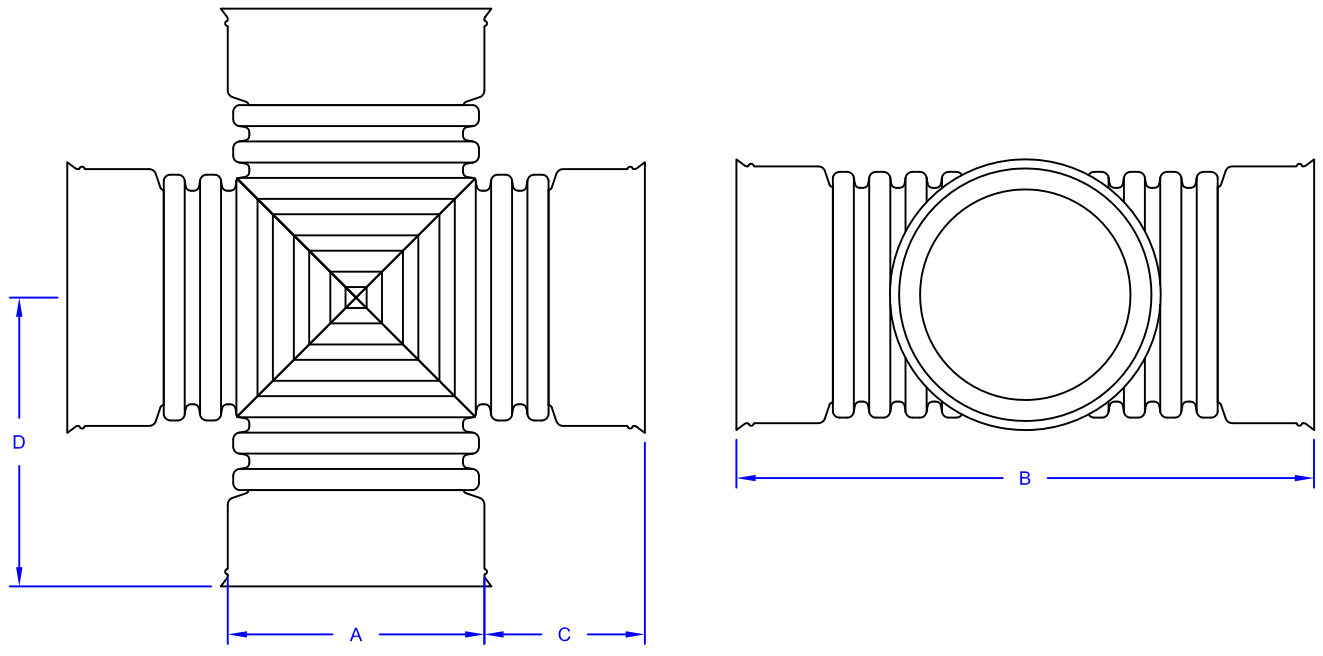
DESCRIPTION:

GOLDFLO CROSS-TEE

DRAWN BY: JAJ

SCALE: NTS

DATE: 03/04/2013



GOLDFLO CROSS-TEE - BELLED						
Nominal I.D.		Part #	A (in)	B (in)	C (in)	D (in)
(in)	(mm)					
12	300	GFCT12B4	15.1	35.2	10.1	17.6
15	375	GFCT15B4	18.4	41.4	11.5	20.7
18	450	GFCT18B4	22.1	48.8	13.4	24.4
24	600	GFCT24B4	29.2	63.7	17.3	31.8

NOTES:

- All pipe and fittings meet the requirements of AASHTO M294 Standard Specification for HDPE Pipe.
- Actual corrugation counts will vary depending on pipe diameter.
- All fitting dimensions are for reference only and actual dimensions may vary slightly.

PRINSCO
ENGINEERED WITH INTEGRITY
1717 16TH ST. NE WILLMAR, MN 56201

DESCRIPTION: GOLDFLO CROSS-TEE 12"-24" - BELLED	
DRAWN BY: JAJ	SCALE: NTS
DATE: 03/06/2013	