

GOLDFLO ECCENTRIC REDUCER 6" - 15"

Nominal I.D.		Part #	A (in)	B (in)	C (in)	D (in)	E (in)	F (in)	G Bracing
(in)	(mm)								
6x4	150x100	GFR0604	7.1	4.8	7.2	4.0	3.2	1/4"	None
8x4	200x100	GFR0804	9.6	4.8	8.1	5.0	3.2	1/4"	None
8x6	200x150	GFR0806	9.6	7.1	8.8	5.0	3.8	1/4"	None
10x4	250x100	GFR1004	11.9	4.8	9.8	6.7	3.2	3/8"	None
10x6	250x150	GFR1006	11.9	7.1	10.4	6.7	3.8	3/8"	None
10x8	250x200	GFR1008	11.9	9.6	11.4	6.7	4.7	3/8"	None
12x4	300x100	GFR1204	14.4	4.8	9.2	6.1	3.2	3/8"	None
12x6	300x150	GFR1206	14.4	7.1	9.9	6.1	3.8	3/8"	None
12x8	300x200	GFR1208	14.4	9.6	10.9	6.1	4.8	3/8"	None
12x10	300x250	GFR1210	14.4	11.9	12.4	6.1	6.4	3/8"	None
15x4	375x100	GFR1504	17.6	4.8	10.8	7.7	3.2	3/8"	None
15x6	375x150	GFR1506	17.6	7.1	11.4	7.7	3.8	3/8"	None
15x8	375x200	GFR1508	17.6	9.6	12.4	7.7	4.7	3/8"	None
15x10	375x250	GFR1510	17.6	11.9	14.0	7.7	6.3	3/8"	None
15x12	375x300	GFR1512	17.6	14.4	13.4	7.7	5.7	3/8"	None

NOTES:

- All pipe and fittings meet the requirements of AASHTO M294 Standard Specification for HDPE Pipe.
- Actual corrugation counts will vary depending on pipe diameter.
- All fitting dimensions are for reference only and actual dimensions may vary slightly.



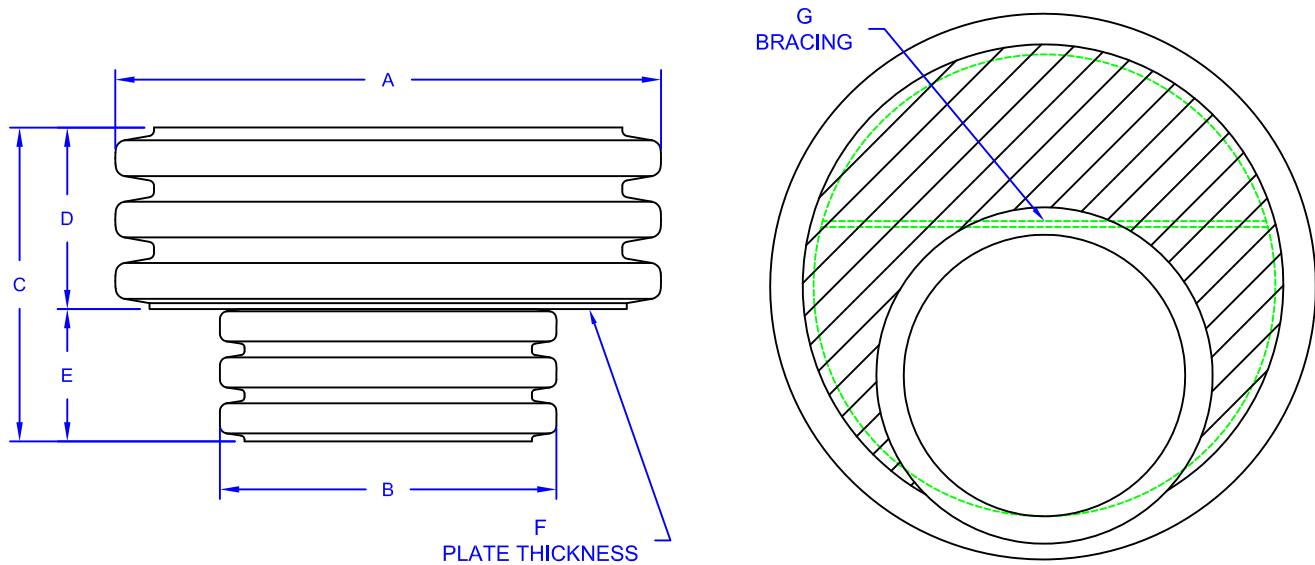
DESCRIPTION:

GOLDFLO ECCENTRIC REDUCER 6" - 15"

DRAWN BY: JAJ

SCALE: NTS

DATE: 03/04/2013



GOLDFLO ECCENTRIC REDUCER 18" - 30" (MW)

Nominal I.D.		Part #	A (in)	B (in)	C (in)	D (in)	E (in)	F (in)	G Bracing
(in)	(mm)								
18x4	450x100	GFR1804 (MW)	21.5	4.8	12.0	8.8	3.2	3/8"	None
18x6	450x150	GFR1806 (MW)	21.5	7.1	12.6	8.8	3.8	3/8"	None
18x8	450x200	GFR1808 (MW)	21.5	9.6	13.6	8.8	4.8	3/8"	None
18x10	450x250	GFR1810 (MW)	21.5	11.9	15.2	8.8	6.4	3/8"	None
18x12	450x300	GFR1812 (MW)	21.5	14.4	14.5	8.8	5.6	3/8"	None
18x15	450x375	GFR1815 (MW)	21.5	17.6	16.2	8.8	7.3	3/8"	None
24x4	600x100	GFR2404 (MW)	28.3	4.8	14.3	11.1	3.2	3/8"	None
24x6	600x150	GFR2406 (MW)	28.3	7.1	14.9	11.1	3.8	3/8"	None
24x8	600x200	GFR2408 (MW)	28.3	9.6	15.9	11.1	4.7	3/8"	None
24x10	600x250	GFR2410 (MW)	28.3	11.9	17.5	11.1	6.3	3/8"	None
24x12	600x300	GFR2412 (MW)	28.3	14.4	16.8	11.1	5.6	3/8"	None
24x15	600x375	GFR2415 (MW)	28.3	17.6	18.4	11.1	7.3	3/8"	None
24x18	600x450	GFR2418 (MW)	28.3	21.5	19.6	11.1	8.5	3/8"	None
30x4	750x100	GFR3004 (MW)	34.9	4.8	14.8	11.6	3.2	3/8"	2 - 3/8"x4"
30x6	750x150	GFR3006 (MW)	34.9	7.1	15.4	11.6	3.8	3/8"	2 - 3/8"x4"
30x8	750x200	GFR3008 (MW)	34.9	9.6	16.4	11.6	4.8	3/8"	2 - 3/8"x4"
30x10	750x250	GFR3010 (MW)	34.9	11.9	18.0	11.6	6.4	3/8"	1 - 3/8"x4"
30x12	750x300	GFR3012 (MW)	34.9	14.4	17.3	11.6	5.6	3/8"	1 - 3/8"x4"
30x15	750x375	GFR3015 (MW)	34.9	17.6	19.0	11.6	7.3	3/8"	1 - 3/8"x4"
30x18	750x450	GFR3018 (MW)	34.9	21.5	20.1	11.6	8.5	3/8"	1 - 3/8"x4"
30x24	750x600	GFR3024 (MW)	34.9	28.3	22.7	11.6	11.1	3/8"	None

NOTES:

- All pipe and fittings meet the requirements of AASHTO M294 Standard Specification for HDPE Pipe.
- Actual corrugation counts will vary depending on pipe diameter.
- All fitting dimensions are for reference only and actual dimensions may vary slightly.



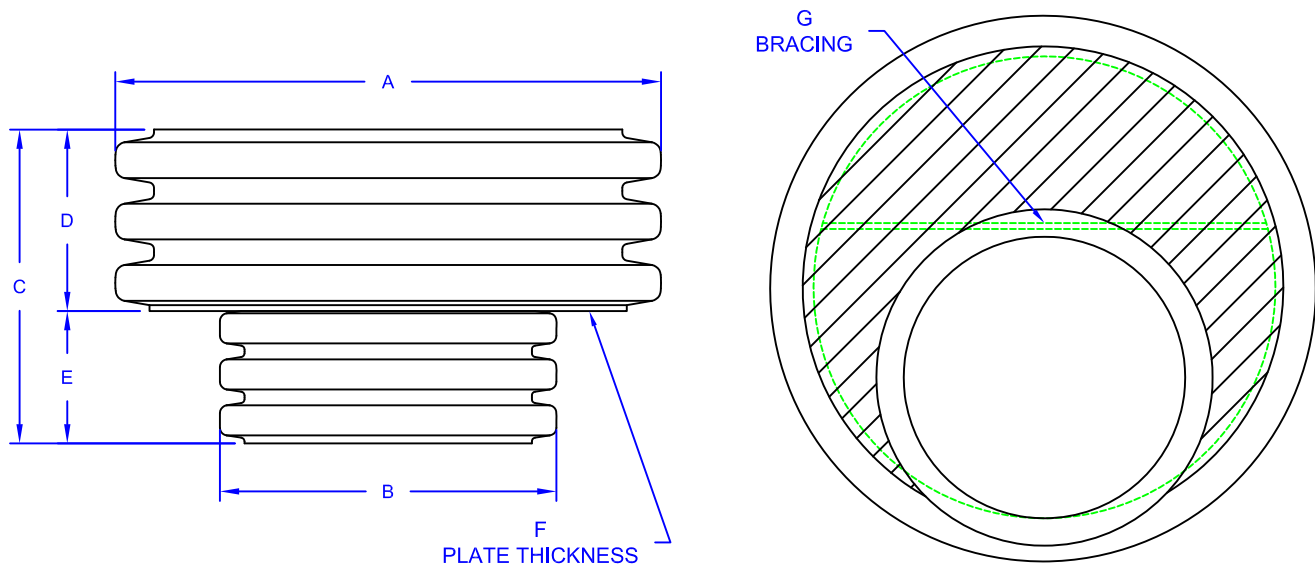
DESCRIPTION:

GOLDFLO ECCENTRIC REDUCER 18" - 30" (MW)

DRAWN BY: JAJ

SCALE: NTS

DATE: 03/04/2013



GOLDFLO ECCENTRIC REDUCER 18" - 30" (WC)

Nominal I.D.		Part #	A (in)	B (in)	C (in)	D (in)	E (in)	F (in)	G Bracing
(in)	(mm)								
18x4	450x100	GFR1804 (WC)	21.4	4.8	12.0	8.8	3.2	3/8"	None
18x6	450x150	GFR1806 (WC)	21.4	7.1	12.6	8.8	3.8	3/8"	None
18x8	450x200	GFR1808 (WC)	21.4	9.6	13.6	8.8	4.8	3/8"	None
18x10	450x250	GFR1810 (WC)	21.4	11.9	15.1	8.8	6.4	3/8"	None
18x12	450x300	GFR1812 (WC)	21.4	14.4	14.4	8.8	5.6	3/8"	None
18x15	450x375	GFR1815 (WC)	21.4	17.6	16.1	8.8	7.3	3/8"	None
24x4	600x100	GFR2404 (WC)	28.1	4.8	14.6	11.4	3.2	3/8"	None
24x6	600x150	GFR2406 (WC)	28.1	7.1	15.2	11.4	3.8	3/8"	None
24x8	600x200	GFR2408 (WC)	28.1	9.6	16.2	11.4	4.8	3/8"	None
24x10	600x250	GFR2410 (WC)	28.1	11.9	17.8	11.4	6.4	3/8"	None
24x12	600x300	GFR2412 (WC)	28.1	14.4	17.1	11.4	5.6	3/8"	None
24x15	600x375	GFR2415 (WC)	28.1	17.6	18.8	11.4	7.3	3/8"	None
24x18	600x450	GFR2418 (WC)	28.1	21.4	19.9	11.4	8.4	3/8"	None
30x4	750x100	GFR3004 (WC)	34.6	4.8	14.8	11.7	3.2	3/8"	2 - 3/8"x4"
30x6	750x150	GFR3006 (WC)	34.6	7.1	15.4	11.7	3.8	3/8"	2 - 3/8"x4"
30x8	750x200	GFR3008 (WC)	34.6	9.6	16.4	11.7	4.8	3/8"	2 - 3/8"x4"
30x10	750x250	GFR3010 (WC)	34.6	11.9	18.0	11.7	6.4	3/8"	1 - 3/8"x4"
30x12	750x300	GFR3012 (WC)	34.6	14.4	17.3	11.7	5.6	3/8"	1 - 3/8"x4"
30x15	750x375	GFR3015 (WC)	34.6	17.6	19.0	11.7	7.3	3/8"	1 - 3/8"x4"
30x18	750x450	GFR3018 (WC)	34.6	21.4	20.1	11.7	8.4	3/8"	1 - 3/8"x4"
30x24	750x600	GFR3024 (WC)	34.6	28.1	22.7	11.7	11.1	3/8"	None

NOTES:

- All pipe and fittings meet the requirements of AASHTO M294 Standard Specification for HDPE Pipe.
- Actual corrugation counts will vary depending on pipe diameter.
- All fitting dimensions are for reference only and actual dimensions may vary slightly.



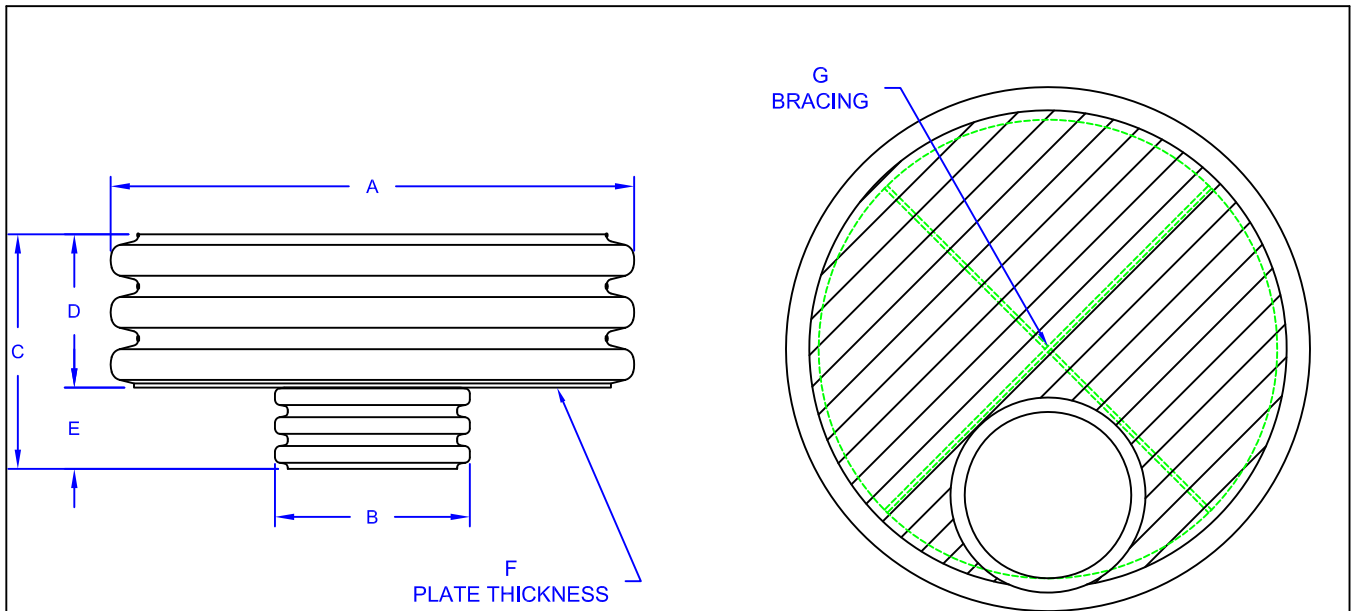
DESCRIPTION:

GOLDFLO ECCENTRIC REDUCER 18" - 30" (WC)

DRAWN BY: JAJ

SCALE: NTS

DATE: 03/05/2013



GOLDFLO ECCENTRIC REDUCER 36" - 42" (MW)									
Nominal I.D.		Part #	A (in)	B (in)	C (in)	D (in)	E (in)	F (in)	G Bracing
(in)	(mm)								
36x4	900x100	GFR3604 (MW)	40.9	4.8	14.7	11.6	3.2	3/8"	2 - 3/8"x4"
36x6	900x150	GFR3606 (MW)	40.9	7.1	15.4	11.6	3.8	3/8"	2 - 3/8"x4"
36x8	900x200	GFR3608 (MW)	40.9	9.6	16.4	11.6	4.8	3/8"	2 - 3/8"x4"
36x10	900x250	GFR3610 (MW)	40.9	11.9	17.9	11.6	6.4	3/8"	2 - 3/8"x4"
36x12	900x300	GFR3612 (MW)	40.9	14.4	17.2	11.6	5.6	3/8"	2 - 3/8"x4"
36x15	900x375	GFR3615 (MW)	40.9	17.6	18.9	11.6	7.3	3/8"	1 - 3/8"x4"
36x18	900x450	GFR3618 (MW)	40.9	21.5	20.0	11.6	8.5	3/8"	1 - 3/8"x4"
36x24	900x600	GFR3624 (MW)	40.9	28.3	22.7	11.6	11.1	3/8"	1 - 3/8"x4"
36x30	900x750	GFR3630 (MW)	40.9	34.9	22.8	11.6	11.2	3/8"	None
42x4	1050x100	GFR4204 (MW)	47.7	4.8	19.8	16.6	3.2	1/2"	2 - 3/8"x4"
42x6	1050x150	GFR4206 (MW)	47.7	7.1	20.4	16.6	3.8	1/2"	2 - 3/8"x4"
42x8	1050x200	GFR4208 (MW)	47.7	9.6	21.4	16.6	4.8	1/2"	2 - 3/8"x4"
42x10	1050x250	GFR4210 (MW)	47.7	11.9	23.0	16.6	6.4	1/2"	2 - 3/8"x4"
42x12	1050x300	GFR4212 (MW)	47.7	14.4	22.3	16.6	5.6	1/2"	2 - 3/8"x4"
42x15	1050x375	GFR4215 (MW)	47.7	17.6	24.0	16.6	7.3	1/2"	2 - 3/8"x4"
42x18	1050x450	GFR4218 (MW)	47.7	21.5	25.1	16.6	8.5	1/2"	1 - 3/8"x4"
42x24	1050x600	GFR4224 (MW)	47.7	28.3	27.8	16.6	11.1	1/2"	1 - 3/8"x4"
42x30	1050x750	GFR4230 (MW)	47.7	34.9	27.9	16.6	11.2	1/2"	1 - 3/8"x4"
42x36	1050x900	GFR4236 (MW)	47.7	40.9	27.8	16.6	11.2	1/2"	None

NOTES:

- All pipe and fittings meet the requirements of AASHTO M294 Standard Specification for HDPE Pipe.
- Actual corrugation counts will vary depending on pipe diameter.
- All fitting dimensions are for reference only and actual dimensions may vary slightly.



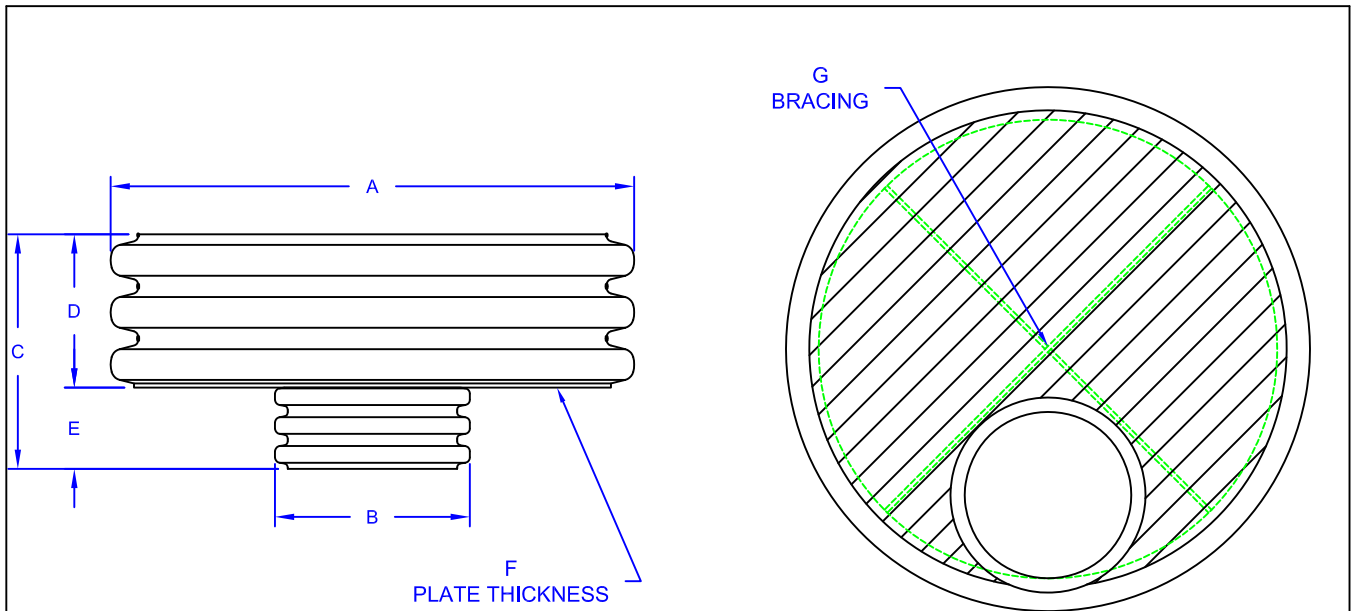
DESCRIPTION:

GOLDFLO ECCENTRIC REDUCER 36" - 42" (MW)

DRAWN BY: JAJ

SCALE: NTS

DATE: 03/04/2013



GOLDFLO ECCENTRIC REDUCER 36" - 42" (WC)									
Nominal I.D.		Part #	A (in)	B (in)	C (in)	D (in)	E (in)	F (in)	G Bracing
(in)	(mm)								
36x4	900x100	GFR3604 (WC)	40.7	4.8	17.1	13.9	3.2	3/8"	2 - 3/8"x4"
36x6	900x150	GFR3606 (WC)	40.7	7.1	17.7	13.9	3.8	3/8"	2 - 3/8"x4"
36x8	900x200	GFR3608 (WC)	40.7	9.6	18.7	13.9	4.8	3/8"	2 - 3/8"x4"
36x10	900x250	GFR3610 (WC)	40.7	11.9	20.3	13.9	6.4	3/8"	2 - 3/8"x4"
36x12	900x300	GFR3612 (WC)	40.7	14.4	19.5	13.9	5.6	3/8"	2 - 3/8"x4"
36x15	900x375	GFR3615 (WC)	40.7	17.6	21.3	13.9	7.3	3/8"	1 - 3/8"x4"
36x18	900x450	GFR3618 (WC)	40.7	21.4	22.3	13.9	8.4	3/8"	1 - 3/8"x4"
36x24	900x600	GFR3624 (WC)	40.7	28.1	25.0	13.9	11.1	3/8"	1 - 3/8"x4"
36x30	900x750	GFR3630 (WC)	40.7	34.6	25.2	13.9	11.3	3/8"	None
42x4	1050x100	GFR4204 (WC)	47.4	4.8	17.0	13.9	3.2	1/2"	2 - 3/8"x4"
42x6	1050x150	GFR4206 (WC)	47.4	7.1	17.7	13.9	3.8	1/2"	2 - 3/8"x4"
42x8	1050x200	GFR4208 (WC)	47.4	9.6	18.7	13.9	4.8	1/2"	2 - 3/8"x4"
42x10	1050x250	GFR4210 (WC)	47.4	11.9	20.2	13.9	6.4	1/2"	2 - 3/8"x4"
42x12	1050x300	GFR4212 (WC)	47.4	14.4	19.5	13.9	5.6	1/2"	2 - 3/8"x4"
42x15	1050x375	GFR4215 (WC)	47.4	17.6	21.2	13.9	7.3	1/2"	2 - 3/8"x4"
42x18	1050x450	GFR4218 (WC)	47.4	21.4	22.3	13.9	8.4	1/2"	1 - 3/8"x4"
42x24	1050x600	GFR4224 (WC)	47.4	28.1	24.9	13.9	11.1	1/2"	1 - 3/8"x4"
42x30	1050x750	GFR4230 (WC)	47.4	34.6	25.2	13.9	11.3	1/2"	1 - 3/8"x4"
42x36	1050x900	GFR4236 (WC)	47.4	40.7	27.4	13.9	13.5	1/2"	None

NOTES:

- All pipe and fittings meet the requirements of AASHTO M294 Standard Specification for HDPE Pipe.
- Actual corrugation counts will vary depending on pipe diameter.
- All fitting dimensions are for reference only and actual dimensions may vary slightly.



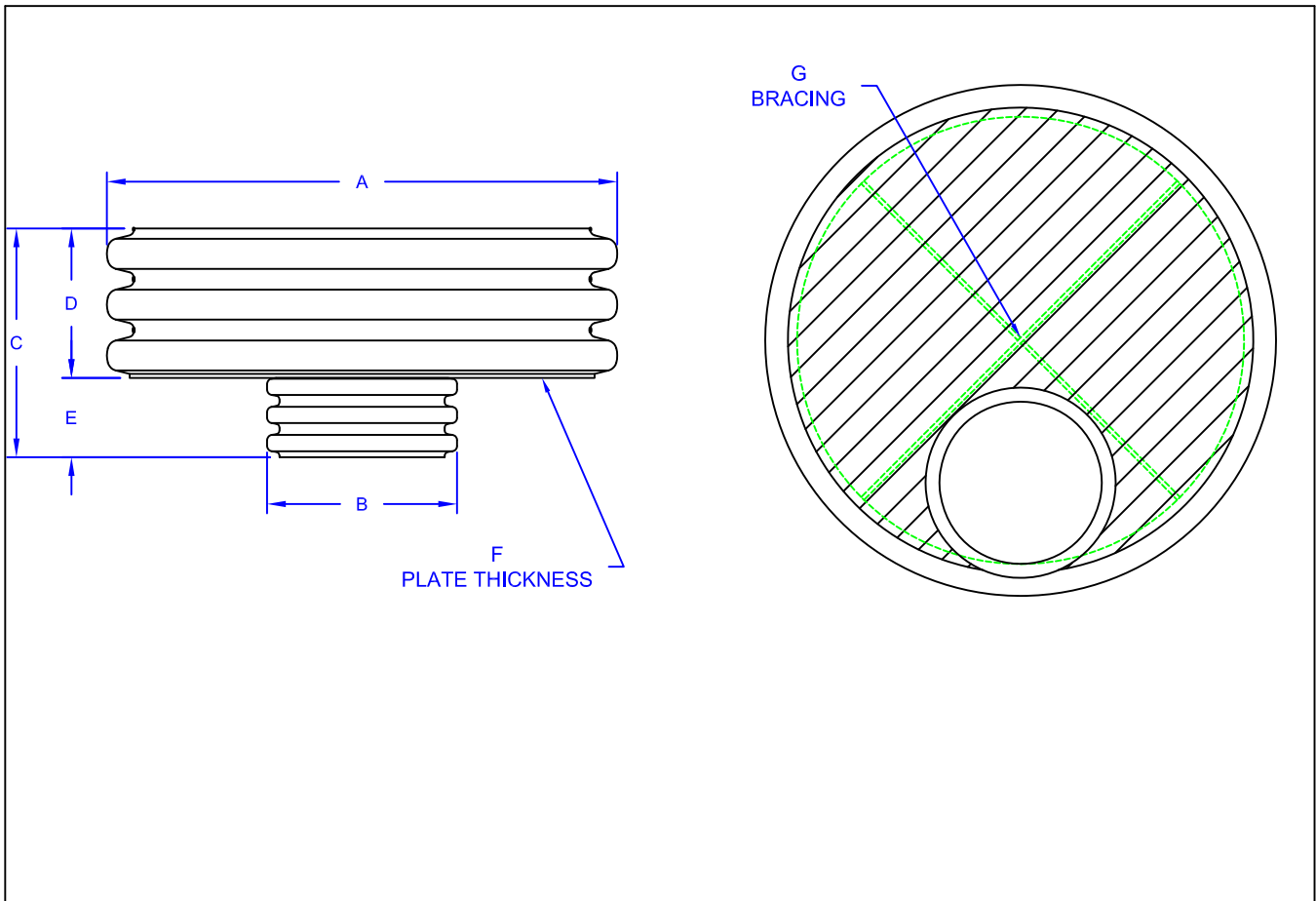
DESCRIPTION:

GOLDFLO ECCENTRIC REDUCER 36" - 42" (WC)

DRAWN BY: JAJ

SCALE: NTS

DATE: 03/04/2013



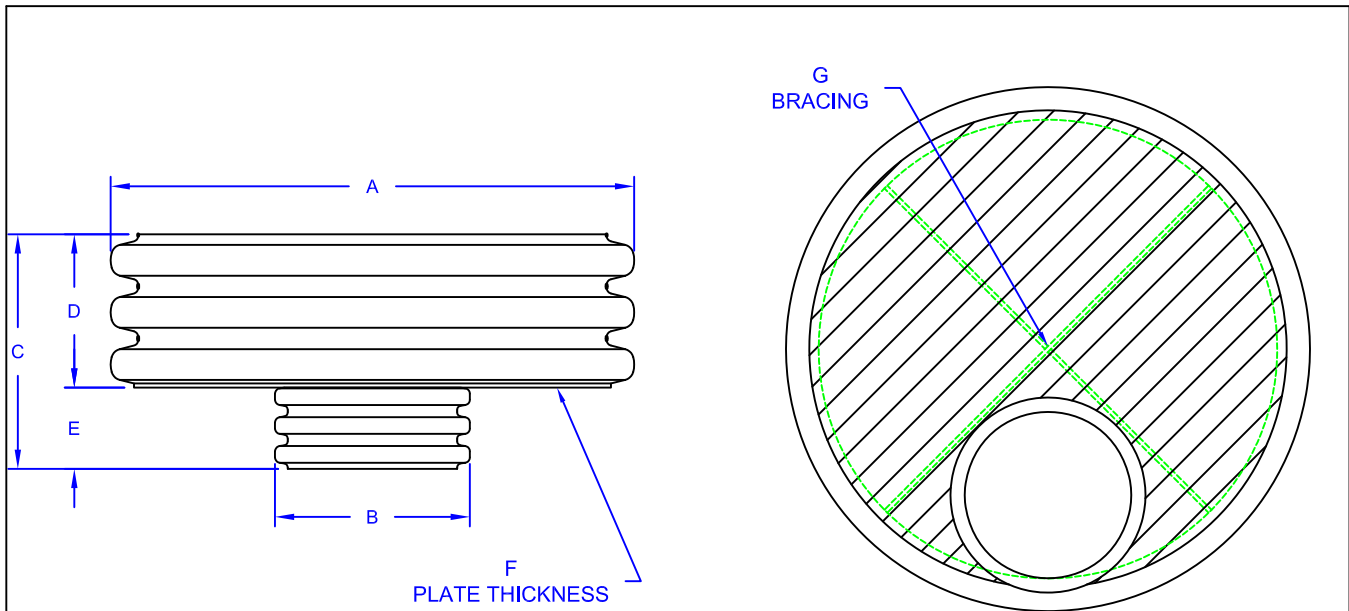
GOLDFLO ECCENTRIC REDUCER 48" (MW)

Nominal I.D.		Part #	A (in)	B (in)	C (in)	D (in)	E (in)	F (in)	G Bracing
(in)	(mm)								
48x4	1200x100	GFR4804 (MW)	53.9	4.8	20.1	16.9	3.2	1/2"	2 - 3/8"x4"
48x6	1200x150	GFR4806 (MW)	53.9	7.1	20.7	16.9	3.8	1/2"	2 - 3/8"x4"
48x8	1200x200	GFR4808 (MW)	53.9	9.6	21.7	16.9	4.8	1/2"	2 - 3/8"x4"
48x10	1200x250	GFR4810 (MW)	53.9	11.9	23.3	16.9	6.4	1/2"	2 - 3/8"x4"
48x12	1200x300	GFR4812 (MW)	53.9	14.4	22.6	16.9	5.6	1/2"	2 - 3/8"x4"
48x15	1200x375	GFR4815 (MW)	53.9	17.6	24.3	16.9	7.3	1/2"	2 - 3/8"x4"
48x18	1200x450	GFR4818 (MW)	53.9	21.5	25.4	16.9	8.5	1/2"	1 - 3/8"x4"
48x24	1200x600	GFR4824 (MW)	53.9	28.3	28.0	16.9	11.1	1/2"	1 - 3/8"x4"
48x30	1200x750	GFR4830 (MW)	53.9	34.9	28.2	16.9	11.2	1/2"	1 - 3/8"x4"
48x36	1200x900	GFR4836 (MW)	53.9	40.9	28.1	16.9	11.2	1/2"	1 - 3/8"x4"
48x42	1200x1050	GFR4842 (MW)	53.9	47.7	33.4	16.9	16.5	1/2"	None

- NOTES:**
- All pipe and fittings meet the requirements of AASHTO M294 Standard Specification for HDPE Pipe.
 - Actual corrugation counts will vary depending on pipe diameter.
 - All fitting dimensions are for reference only and actual dimensions may vary slightly.

PRINSCO
ENGINEERED WITH INTEGRITY
1717 16TH ST. NE WILLMAR, MN 56201

DESCRIPTION: GOLDFLO ECCENTRIC REDUCER 48" (MW)	
DRAWN BY: JAJ	SCALE: NTS
DATE: 03/05/2013	



GOLDFLO ECCENTRIC REDUCER 48" (WC)

Nominal I.D.		Part #	A (in)	B (in)	C (in)	D (in)	E (in)	F (in)	G Bracing
(in)	(mm)								
48x4	1200x100	GFR4804 (WC)	54.3	4.8	17.2	14.0	3.2	1/2"	2 - 3/8"x4"
48x6	1200x150	GFR4806 (WC)	54.3	7.1	17.8	14.0	3.8	1/2"	2 - 3/8"x4"
48x8	1200x200	GFR4808 (WC)	54.3	9.6	18.8	14.0	4.8	1/2"	2 - 3/8"x4"
48x10	1200x250	GFR4810 (WC)	54.3	11.9	20.3	14.0	6.4	1/2"	2 - 3/8"x4"
48x12	1200x300	GFR4812 (WC)	54.3	14.4	19.6	14.0	5.6	1/2"	2 - 3/8"x4"
48x15	1200x375	GFR4815 (WC)	54.3	17.6	21.3	14.0	7.3	1/2"	2 - 3/8"x4"
48x18	1200x450	GFR4818 (WC)	54.3	21.4	22.4	14.0	8.4	1/2"	1 - 3/8"x4"
48x24	1200x600	GFR4824 (WC)	54.3	28.1	25.1	14.0	11.1	1/2"	1 - 3/8"x4"
48x30	1200x750	GFR4830 (WC)	54.3	34.6	25.3	14.0	11.3	1/2"	1 - 3/8"x4"
48x36	1200x900	GFR4836 (WC)	54.3	40.7	27.5	14.0	13.5	1/2"	1 - 3/8"x4"
48x42	1200x1050	GFR4842 (WC)	54.3	47.4	27.5	14.0	13.5	1/2"	None

NOTES:

- All pipe and fittings meet the requirements of AASHTO M294 Standard Specification for HDPE Pipe.
- Actual corrugation counts will vary depending on pipe diameter.
- All fitting dimensions are for reference only and actual dimensions may vary slightly.



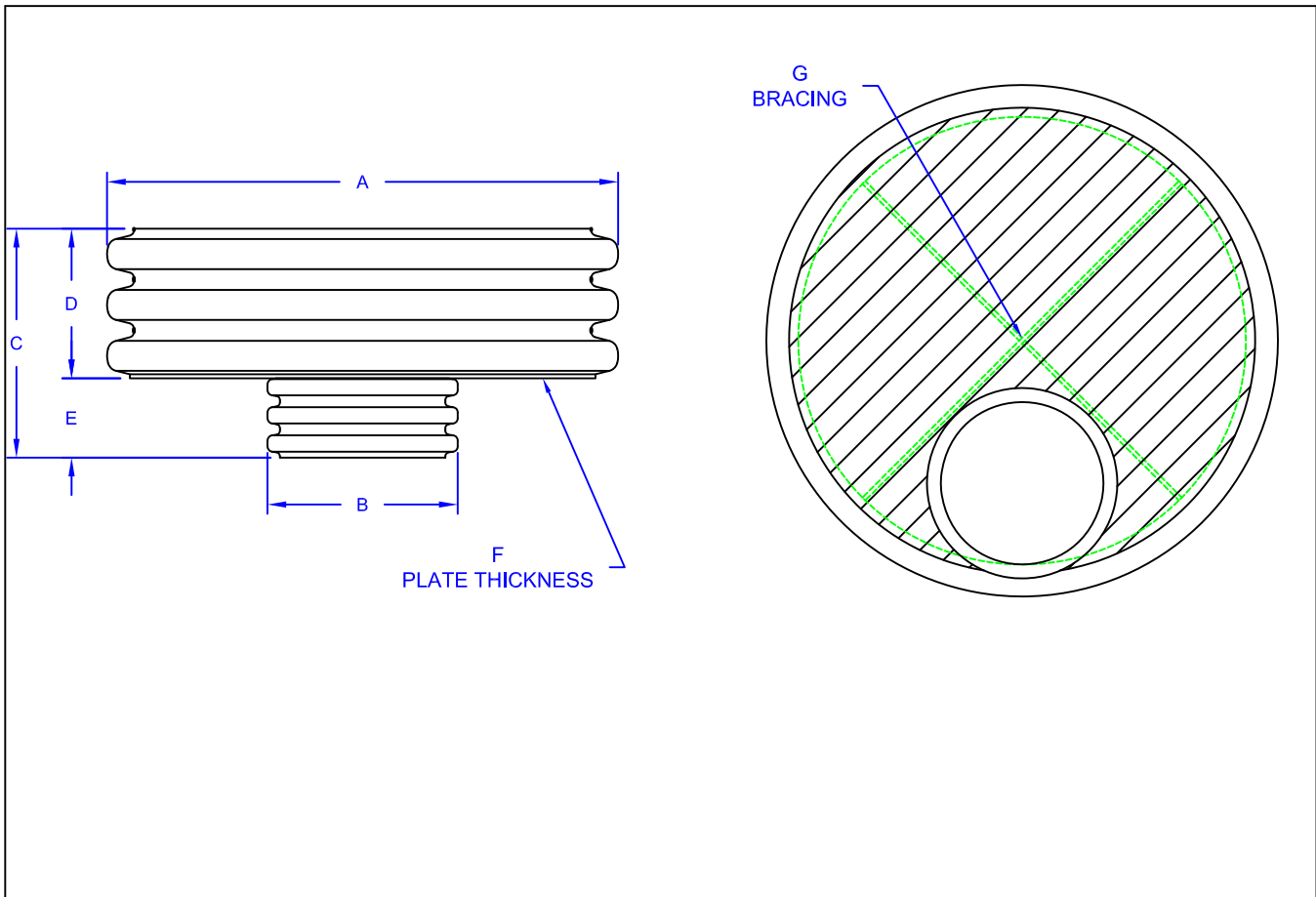
DESCRIPTION:

GOLDFLO ECCENTRIC REDUCER 48" (WC)

DRAWN BY: JAJ

SCALE: NTS

DATE: 03/05/2013



GOLDFLO ECCENTRIC REDUCER 60"									
Nominal I.D.		Part #	A (in)	B (in)	C (in)	D (in)	E (in)	F (in)	G Bracing
(in)	(mm)								
60x4	1500x100	GFR6004	66.9	4.8	20.6	17.5	3.2	1/2"	2 - 3/8"x4"
60x6	1500x150	GFR6006	66.9	7.1	21.3	17.5	3.8	1/2"	2 - 3/8"x4"
60x8	1500x200	GFR6008	66.9	9.6	22.3	17.5	4.8	1/2"	2 - 3/8"x4"
60x10	1500x250	GFR6010	66.9	11.9	23.8	17.5	6.4	1/2"	2 - 3/8"x4"
60x12	1500x300	GFR6012	66.9	14.4	23.1	17.5	5.6	1/2"	2 - 3/8"x4"
60x15	1500x375	GFR6015	66.9	17.6	24.8	17.5	7.3	1/2"	2 - 3/8"x4"
60x18	1500x450	GFR6018	66.9	21.4	25.9	17.5	8.4	1/2"	2 - 3/8"x4"
60x24	1500x600	GFR6024	66.9	28.1	28.5	17.5	11.1	1/2"	1 - 3/8"x4"
60x30	1500x750	GFR6030	66.9	34.6	28.8	17.5	11.3	1/2"	1 - 3/8"x4"
60x36	1500x900	GFR6036	66.9	40.7	31.0	17.5	13.5	1/2"	1 - 3/8"x4"
60x42	1500x1050	GFR6042	66.9	47.4	31.0	17.5	13.5	1/2"	1 - 3/8"x4"
60x48	1500x1200	GFR6048	66.9	54.3	31.0	17.5	13.5	1/2"	None

NOTES:

- All pipe and fittings meet the requirements of AASHTO M294 Standard Specification for HDPE Pipe.
- Actual corrugation counts will vary depending on pipe diameter.
- All fitting dimensions are for reference only and actual dimensions may vary slightly.



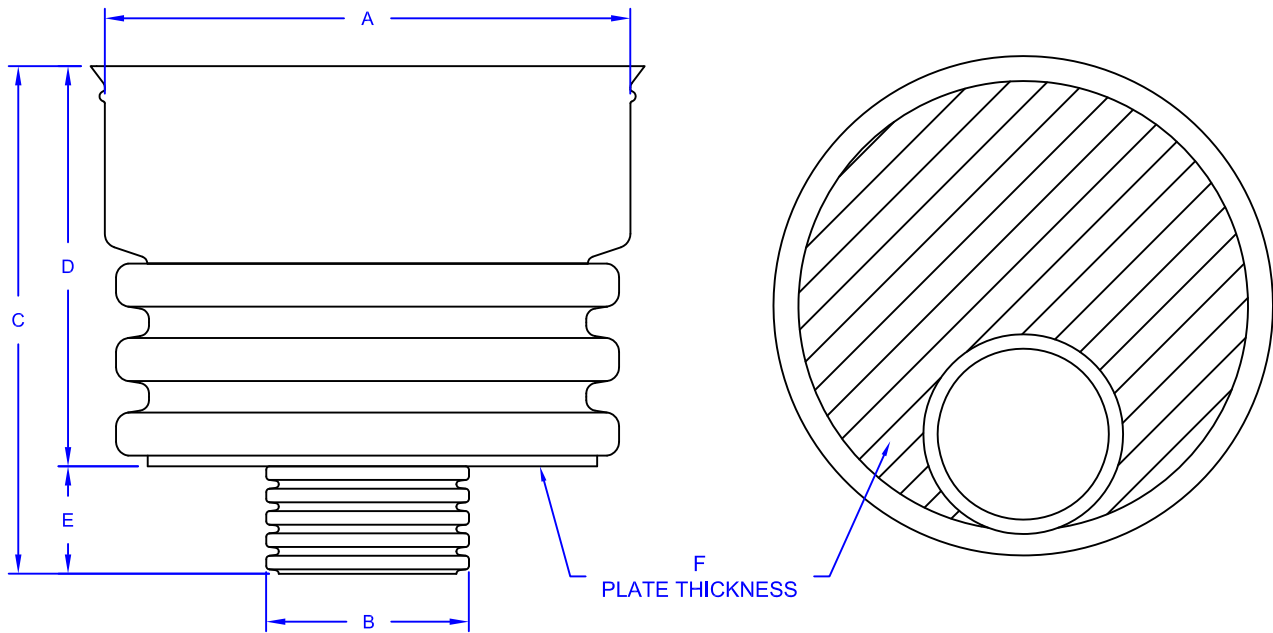
DESCRIPTION:

GOLDFLO ECCENTRIC REDUCER 60"

DRAWN BY: JAJ

SCALE: NTS

DATE: 03/05/2013



GOLFLO ECCENTRIC REDUCER 12"-18" - BELLED

Nominal I.D.		Part #	A (in)	B (in)	C (in)	D (in)	E (in)	F (in)	# of Bells
(in)	(mm)								
12x4	300x100	GFR1204B1	15.1	4.8	15.3	10.0	3.2	3/8"	1
12x6	300x150	GFR1206B1	15.1	7.1	15.8	10.6	3.8	3/8"	1
12x8	300x200	GFR1208B1	15.1	9.6	16.8	11.6	4.8	3/8"	1
12x10	300x250	GFR1210B1	15.1	11.9	18.4	13.2	6.6	3/8"	1
15x4	375x100	GFR1504B1	18.4	4.8	17.2	11.3	3.2	3/8"	1
15x6	375x150	GFR1506B1	18.4	7.1	17.8	11.9	3.8	3/8"	1
15x8	375x200	GFR1508B1	18.4	9.6	18.8	12.9	4.7	3/8"	1
15x10	375x250	GFR1510B1	18.4	11.9	20.3	14.4	6.3	3/8"	1
15x12	375x300	GFR1512B2	18.4	15.1	25.8	14.7	---	3/8"	2
18x4	450x100	GFR1804B1(MW)	22.1	4.8	19.0	12.8	3.2	3/8"	1
		GFR1804B1(WC)	22.1	4.8	18.9	12.7	3.2	3/8"	1
18x6	450x150	GFR1806B1(MW)	22.1	7.1	20.0	13.8	3.8	3/8"	1
		GFR1806B1(WC)	22.1	7.1	19.5	13.3	3.8	3/8"	1
18x8	450x200	GFR1808B1(MW)	22.1	9.6	20.6	14.4	4.8	3/8"	1
		GFR1808B1(WC)	22.1	9.6	20.5	14.3	4.8	3/8"	1
18x10	450x250	GFR1810B1(MW)	22.1	11.9	22.2	16.0	6.4	3/8"	1
		GFR1810B1(WC)	22.1	11.9	22.1	15.9	6.4	3/8"	1
18x12	450x300	GFR1812B2(MW)	22.1	15.1	27.4	16.0	---	3/8"	2
		GFR1812B2(WC)	22.1	15.1	27.3	15.9	---	3/8"	2
18x15	450x375	GFR1815B2(MW)	22.1	18.4	29.6	17.5	---	3/8"	2
		GFR1815B2(WC)	22.1	18.4	29.5	17.4	---	3/8"	2

NOTES:

- All pipe and fittings meet the requirements of AASHTO M294 Standard Specification for HDPE Pipe.
- Actual corrugation counts will vary depending on pipe diameter.
- All fitting dimensions are for reference only and actual dimensions may vary slightly.

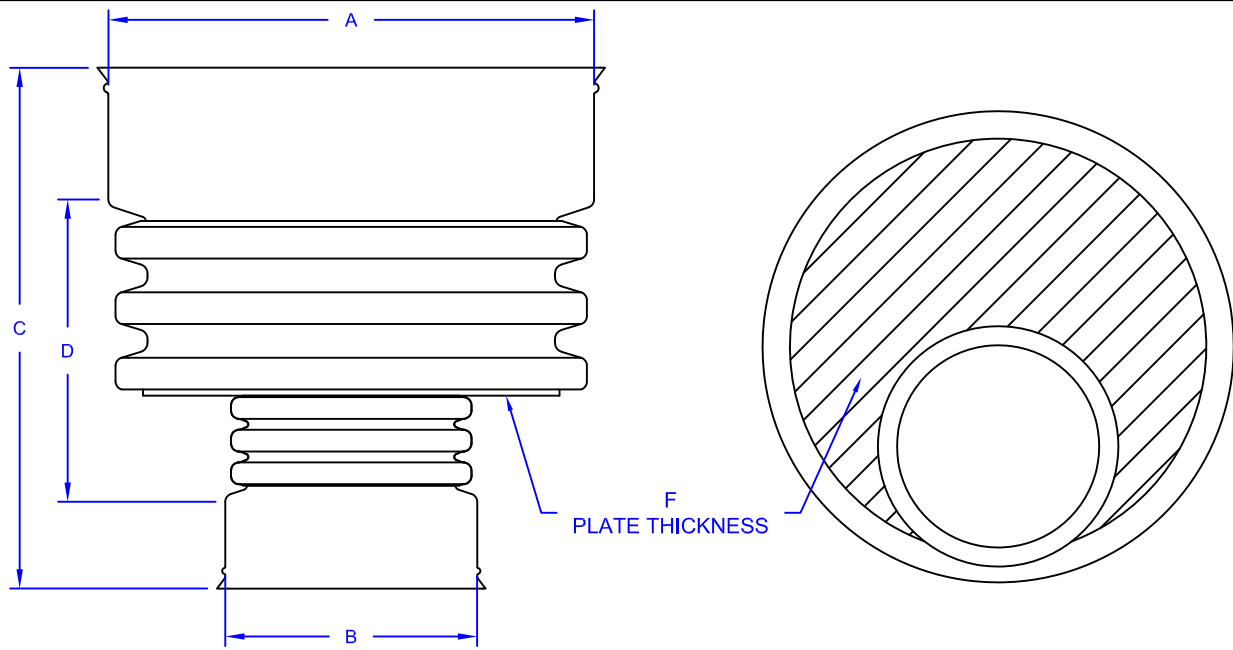


DESCRIPTION:

GOLFLO ECCENTRIC
REDUCER 12"-18" -BELLED

DRAWN BY: JAJ
DATE: 03/06/2013

SCALE: NTS



GOLDFLO ECCENTRIC REDUCER 24" - BELLED

Nominal I.D.		Part #	A (in)	B (in)	C (in)	D (in)	E (in)	F (in)	# of Bells
(in)	(mm)								
24x4	600x100	GFR2404B1(MW)	29.2	4.8	22.8	14.9	3.2	3/8"	1
		GFR2404B1(WC)	29.2	4.8	23.1	15.2	3.2	3/8"	1
24x6	600x150	GFR2406B1(MW)	29.2	7.1	23.5	15.5	3.8	3/8"	1
		GFR2406B1(WC)	29.2	7.1	23.7	15.8	3.8	3/8"	1
24x8	600x200	GFR2408B1(MW)	29.2	9.6	24.4	16.5	4.8	3/8"	1
		GFR2408B1(WC)	29.2	9.6	24.7	16.8	4.8	3/8"	1
24x10	600x250	GFR2410B1(MW)	29.2	11.9	26.0	18.1	6.3	3/8"	1
		GFR2410B1(WC)	29.2	11.9	26.3	18.4	6.4	3/8"	1
24x12	600x300	GFR2412B2(MW)	29.2	15.1	31.3	18.1	---	3/8"	2
		GFR2412B2(WC)	29.2	15.1	31.5	18.4	---	3/8"	2
24x15	600x375	GFR2415B2(MW)	29.2	18.4	33.4	19.6	---	3/8"	2
		GFR2415B2(WC)	29.2	18.4	34.2	20.4	---	3/8"	2
24x18	600x450	GFR2418B2(MW)	29.2	22.1	35.1	21.0	---	3/8"	2
		GFR2418B2(WC)	29.2	21.5	35.3	21.2	---	3/8"	2

NOTES:

- All pipe and fittings meet the requirements of AASHTO M294 Standard Specification for HDPE Pipe.
- Actual corrugation counts will vary depending on pipe diameter.
- All fitting dimensions are for reference only and actual dimensions may vary slightly.



DESCRIPTION:

GOLDFLO ECCENTRIC REDUCER 24" - BELLED

DRAWN BY: JAJ

SCALE: NTS

DATE: 03/06/2013