

GOLDFLO REDUCING TEE 6" - 15"

Nominal I.D.		Part #	A (in)	B (in)	C (in)	D (in)	E (in)	F (in)	G (in)	H (in)
(in)	(mm)									
6x4	150x100	GFT0604	13.3	7.1	4.8	3.8	6.7	4.3	3.3	7.3
8x4	200x100	GFT0804	17.7	9.6	4.8	4.4	7.4	4.9	3.3	9.2
8x6	200x150	GFT0806	16.7	9.6	7.1	5.0	8.3	4.8	3.9	9.8
10x4	250x100	GFT1004	18.3	11.9	4.8	4.4	9.1	6.7	3.3	10.2
10x6	250x150	GFT1006	20.9	11.9	7.1	5.3	10.5	6.9	3.9	16.5
10x8	250x200	GFT1008	23.5	11.9	9.6	6.2	11.8	6.9	4.9	12.1
12x4	300x100	GFT1204	15.7	14.4	4.8	4.2	7.8	5.4	3.3	11.4
12x6	300x150	GFT1206	17.6	14.4	7.1	5.3	8.8	5.3	3.9	12.5
12x8	300x200	GFT1208	19.6	14.4	9.6	5.9	9.8	5.0	4.9	13.2
12x10	300x250	GFT1210	21.6	14.4	11.9	8.6	10.8	4.9	6.5	15.8
15x4	375x100	GFT1504	18.3	17.6	4.8	4.2	9.1	6.7	3.3	13.1
15x6	375x150	GFT1506	20.9	17.6	7.1	5.5	10.4	6.9	3.9	14.4
15x8	375x200	GFT1508	20.9	17.6	9.6	7.6	10.4	5.6	4.9	16.4
15x10	375x250	GFT1510	23.5	17.6	11.9	8.4	11.7	5.8	6.5	17.2
15x12	375x300	GFT1512	26.1	17.6	14.4	7.6	13.1	5.8	5.9	16.4

NOTES:

- All pipe and fittings meet the requirements of AASHTO M294 Standard Specification for HDPE Pipe.
- Actual corrugation counts will vary depending on pipe diameter.
- All fitting dimensions are for reference only and actual dimensions may vary slightly.



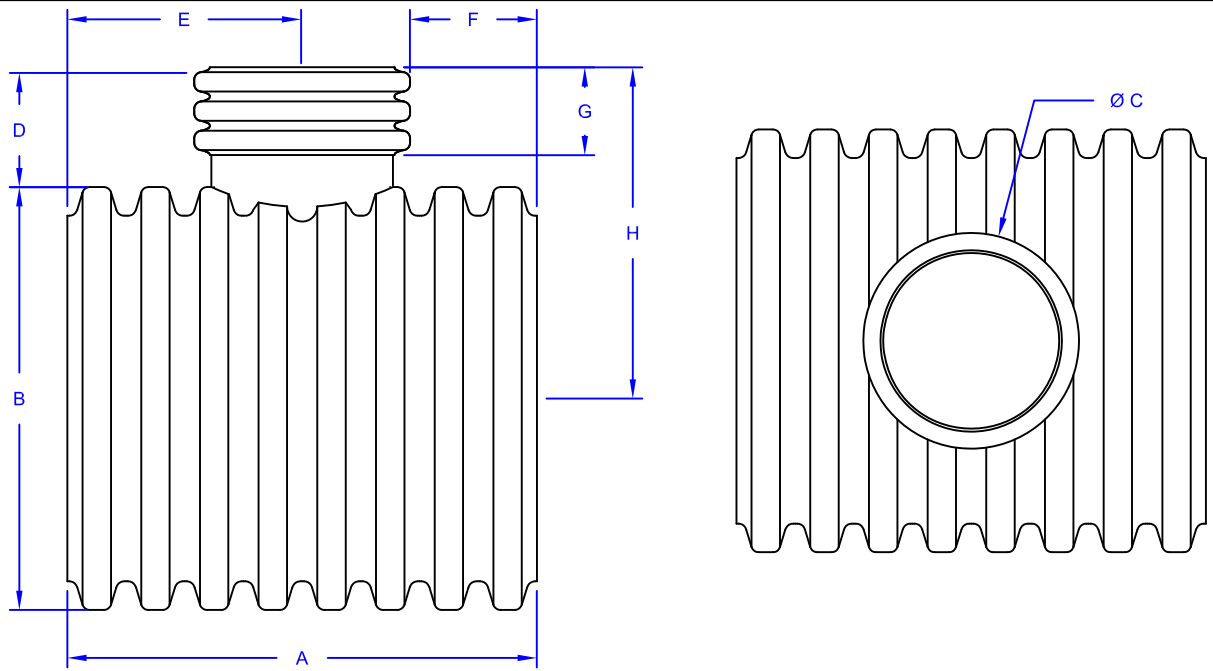
DESCRIPTION:

GOLDFLO REDUCING TEE 6"-15"

DRAWN BY: JAJ

SCALE: NTS

DATE: 03/05/2013



**GOLFLO REDUCING TEE 18" - 30" (MW)**

Nominal I.D.		Part #	A (in)	B (in)	C (in)	D (in)	E (in)	F (in)	G (in)	H (in)
(in)	(mm)									
18x4	450x100	GFT1804 (MW)	20.6	21.5	4.8	4.3	10.3	7.9	3.3	15.1
18x6	450x150	GFT1806 (MW)	20.6	21.5	7.1	5.2	10.3	6.8	3.9	15.9
18x8	450x200	GFT1808 (MW)	23.6	21.5	9.6	6.2	11.8	7.0	4.9	17.0
18x10	450x250	GFT1810 (MW)	26.5	21.5	11.9	8.3	13.3	7.3	6.5	19.0
18x12	450x300	GFT1812 (MW)	26.5	21.5	14.4	7.8	13.3	6.0	5.9	18.6
18x15	450x375	GFT1815 (MW)	29.5	21.5	17.6	10.1	14.7	5.9	7.8	20.8
24x4	600x100	GFT2404 (MW)	23.6	28.3	4.8	3.8	11.8	9.4	3.3	18.0
24x6	600x150	GFT2406 (MW)	27.5	28.3	7.1	5.3	13.7	10.2	3.9	19.4
24x8	600x200	GFT2408 (MW)	27.5	28.3	9.6	6.5	13.7	8.9	4.9	20.6
24x10	600x250	GFT2410 (MW)	31.4	28.3	11.9	7.7	15.8	9.8	6.5	21.8
24x12	600x300	GFT2412 (MW)	31.4	28.3	14.4	8.0	15.7	8.5	5.9	22.2
24x15	600x375	GFT2415 (MW)	35.4	28.3	17.6	10.9	17.7	8.9	7.8	25.1
24x18	600x450	GFT2418 (MW)	35.4	28.3	21.5	11.0	17.7	6.9	8.8	25.2
30x4	750x100	GFT3004 (MW)	23.6	34.9	4.8	5.1	11.8	9.4	3.3	22.6
30x6	750x150	GFT3006 (MW)	27.5	34.9	7.1	6.1	13.7	10.2	3.9	23.6
30x8	750x200	GFT3008 (MW)	27.5	34.9	9.6	6.9	13.7	8.9	4.9	24.3
30x10	750x250	GFT3010 (MW)	31.4	34.9	11.9	9.2	15.7	9.8	6.5	26.7
30x12	750x300	GFT3012 (MW)	31.4	34.9	14.4	8.0	15.7	8.5	5.9	25.5
30x15	750x375	GFT3015 (MW)	35.4	34.9	17.6	11.3	17.7	8.9	7.8	28.8
30x18	750x450	GFT3018 (MW)	39.3	34.9	21.5	11.3	19.6	8.9	8.8	28.8
30x24	750x600	GFT3024 (MW)	43.2	34.9	28.3	13.3	21.6	7.5	11.8	30.8

**NOTES:**

- All pipe and fittings meet the requirements of AASHTO M294 Standard Specification for HDPE Pipe.
- Actual corrugation counts will vary depending on pipe diameter.
- All fitting dimensions are for reference only and actual dimensions may vary slightly.

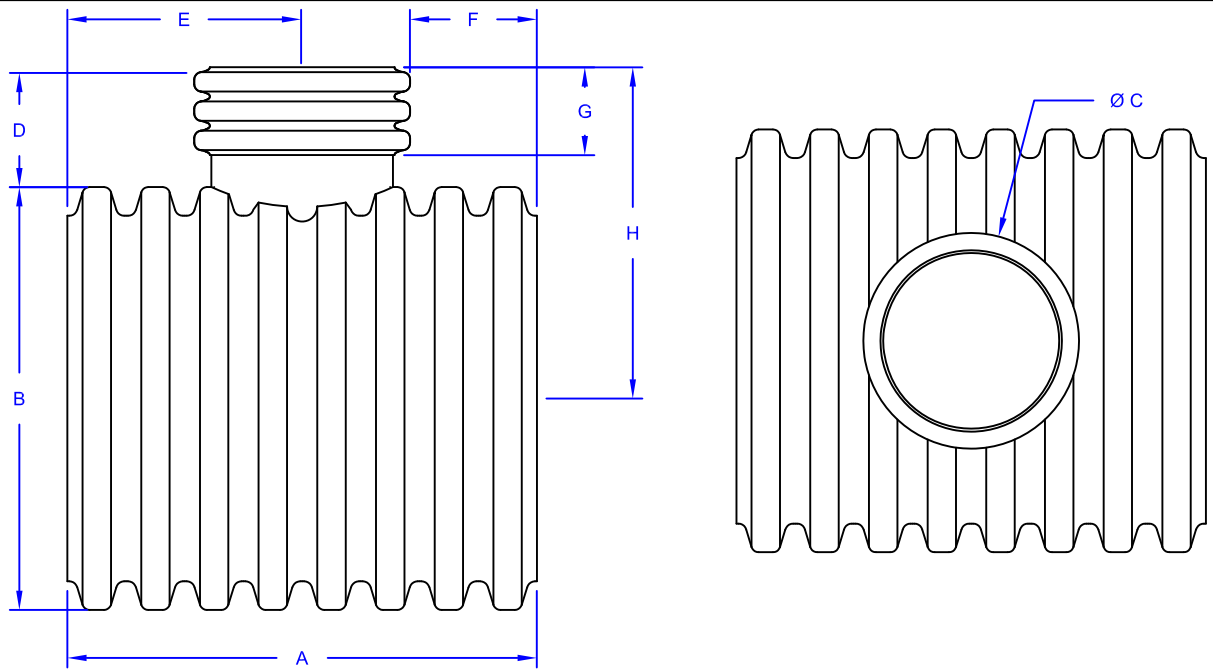


**DESCRIPTION:**

**GOLFLO REDUCING  
TEE 18"-30" (MW)**

DRAWN BY: JAJ  
DATE: 03/05/2013

SCALE: NTS



GOLDFLO REDUCING TEE 18" - 30" (WC)

Nominal I.D.		Part #	A (in)	B (in)	C (in)	D (in)	E (in)	F (in)	G (in)	H (in)
(in)	(mm)									
18x4	450x100	GFT1804 (WC)	20.6	21.4	4.8	4.3	10.3	7.9	3.3	15.0
18x6	450x150	GFT1806 (WC)	20.6	21.4	7.1	5.2	10.3	6.8	3.9	15.9
18x8	450x200	GFT1808 (WC)	23.6	21.4	9.6	6.2	11.8	7.0	4.9	16.9
18x10	450x250	GFT1810 (WC)	26.5	21.4	11.9	8.3	13.3	7.3	6.5	19.0
18x12	450x300	GFT1812 (WC)	26.5	21.4	14.4	7.8	13.3	6.0	5.9	18.5
18x15	450x375	GFT1815 (WC)	29.5	21.4	17.6	10.1	14.7	5.9	7.8	20.8
24x4	600x100	GFT2404 (WC)	23.6	28.1	4.8	3.8	11.8	9.4	3.3	17.9
24x6	600x150	GFT2406 (WC)	27.5	28.1	7.1	5.3	13.7	10.2	3.9	19.3
24x8	600x200	GFT2408 (WC)	27.5	28.1	9.6	6.5	13.7	8.9	4.9	20.5
24x10	600x250	GFT2410 (WC)	31.4	28.1	11.9	7.7	15.7	9.8	6.5	21.7
24x12	600x300	GFT2412 (WC)	31.4	28.1	14.4	8.0	15.7	8.5	5.9	22.1
24x15	600x375	GFT2415 (WC)	35.4	28.1	17.6	10.9	17.7	8.9	7.8	25.0
24x18	600x450	GFT2418 (WC)	35.4	28.1	21.4	11.0	17.7	7.0	8.8	25.1
30x4	750x100	GFT3004 (WC)	23.6	34.6	4.8	5.1	11.8	9.4	3.3	22.4
30x6	750x150	GFT3006 (WC)	27.5	34.6	7.1	6.1	13.7	10.2	3.9	23.4
30x8	750x200	GFT3008 (WC)	27.5	34.6	9.6	6.9	13.7	8.9	4.9	24.2
30x10	750x250	GFT3010 (WC)	31.4	34.6	11.9	9.2	15.7	9.8	6.5	26.5
30x12	750x300	GFT3012 (WC)	31.4	34.6	14.4	8.0	15.7	8.5	5.9	25.3
30x15	750x375	GFT3015 (WC)	35.4	34.6	17.6	11.3	17.7	8.9	7.8	28.6
30x18	750x450	GFT3018 (WC)	39.3	34.6	21.4	11.0	19.6	8.9	8.8	28.3
30x24	750x600	GFT3024 (WC)	43.2	34.6	28.1	13.3	21.6	7.6	11.8	30.6

NOTES:

- All pipe and fittings meet the requirements of AASHTO M294 Standard Specification for HDPE Pipe.
- Actual corrugation counts will vary depending on pipe diameter.
- All fitting dimensions are for reference only and actual dimensions may vary slightly.



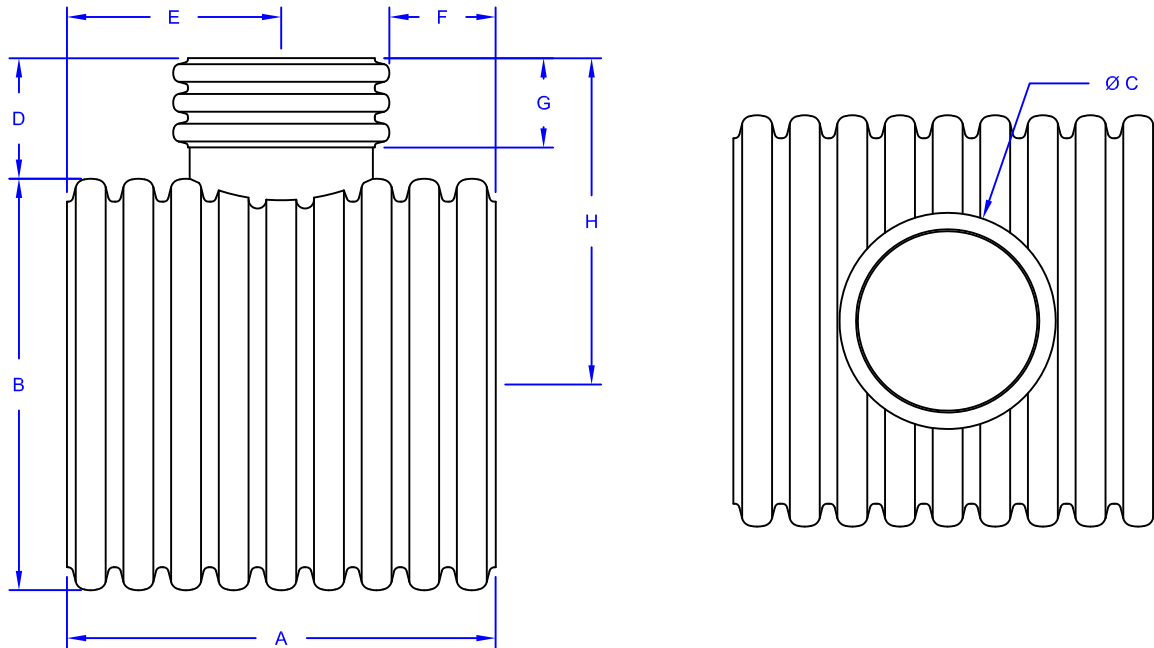
DESCRIPTION:

GOLDFLO REDUCING TEE 18"-30" (WC)

DRAWN BY: JAJ

SCALE: NTS

DATE: 03/05/2013



**GOLDFLO REDUCING TEE 36" - 42" (MW)**

Nominal I.D.		Part #	A (in)	B (in)	C (in)	D (in)	E (in)	F (in)	G (in)	H (in)
(in)	(mm)									
36x4	900x100	GFT3604 (MW)	23.6	40.9	4.8	4.7	11.8	9.4	3.3	25.1
36x6	900x150	GFT3606 (MW)	27.5	40.9	7.1	5.7	13.7	10.2	3.9	26.1
36x8	900x200	GFT3608 (MW)	27.5	40.9	9.6	6.9	13.7	8.9	4.9	27.4
36x10	900x250	GFT3610 (MW)	31.4	40.9	11.9	8.3	15.7	9.8	6.5	28.8
36x12	900x300	GFT3612 (MW)	31.4	40.9	14.4	8.4	15.7	8.5	5.9	28.8
36x15	900x375	GFT3615 (MW)	35.4	40.9	17.6	12.3	17.7	8.9	7.8	32.7
36x18	900x450	GFT3618 (MW)	39.3	40.9	21.5	11.9	19.6	8.9	8.8	32.4
36x24	900x600	GFT3624 (MW)	43.2	40.9	28.3	13.3	21.6	7.5	11.8	33.7
36x30	900x750	GFT3630 (MW)	51.1	40.9	34.9	15.8	25.5	8.1	11.7	36.3
42x4	1050x100	GFT4204 (MW)	35.4	47.7	4.8	5.2	17.7	15.3	3.3	29.0
42x6	1050x150	GFT4206 (MW)	35.4	47.7	7.1	6.2	17.7	14.1	3.9	30.1
42x8	1050x200	GFT4208 (MW)	41.2	47.7	9.6	7.0	20.6	15.8	4.9	30.9
42x10	1050x250	GFT4210 (MW)	41.2	47.7	11.9	8.9	20.6	14.7	6.5	32.8
42x12	1050x300	GFT4212 (MW)	41.2	47.7	14.4	8.0	20.6	13.4	5.9	31.9
42x15	1050x375	GFT4215 (MW)	47.1	47.7	17.6	11.4	23.6	14.8	7.8	35.3
42x18	1050x450	GFT4218 (MW)	47.1	47.7	21.5	11.3	23.6	12.8	8.8	35.2
42x24	1050x600	GFT4224 (MW)	53.0	47.7	28.3	14.0	26.5	12.4	11.8	37.9
42x30	1050x750	GFT4230 (MW)	58.9	47.7	34.9	16.1	29.5	12.0	11.8	40.0
42x36	1050x900	GFT4236 (MW)	64.8	47.7	40.9	14.0	32.4	12.0	11.7	37.9

**NOTES:**

- All pipe and fittings meet the requirements of AASHTO M294 Standard Specification for HDPE Pipe.
- Actual corrugation counts will vary depending on pipe diameter.
- All fitting dimensions are for reference only and actual dimensions may vary slightly.



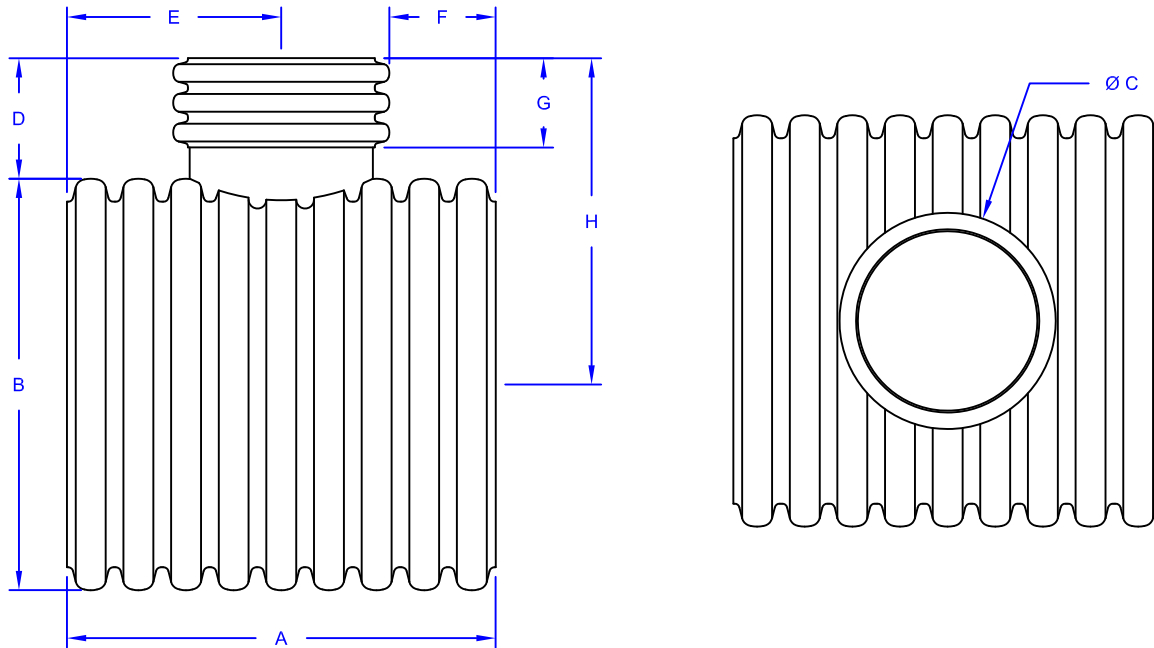
**DESCRIPTION:**

**GOLDFLO REDUCING  
TEE 36"-42" (MW)**

DRAWN BY: JAJ

SCALE: NTS

DATE: 03/05/2013



**GOLDFLO REDUCING TEE 36" - 42" (WC)**

Nominal I.D.		Part #	A (in)	B (in)	C (in)	D (in)	E (in)	F (in)	G (in)	H (in)
(in)	(mm)									
36x4	900x100	GFT3604 (WC)	28.3	40.7	4.8	4.7	14.1	11.7	3.3	25.0
36x6	900x150	GFT3606 (WC)	28.3	40.7	7.1	5.7	14.1	10.6	3.9	26.0
36x8	900x200	GFT3608 (WC)	33.0	40.7	9.6	6.9	16.5	11.7	4.9	27.3
36x10	900x250	GFT3610 (WC)	33.0	40.7	11.9	8.3	16.5	10.6	6.5	28.7
36x12	900x300	GFT3612 (WC)	37.7	40.7	14.4	8.4	18.9	11.6	5.9	28.7
36x15	900x375	GFT3615 (WC)	37.7	40.7	17.6	10.8	18.9	10.0	7.8	31.2
36x18	900x450	GFT3618 (WC)	42.4	40.7	21.4	11.9	21.2	10.5	8.8	32.3
36x24	900x600	GFT3624 (WC)	47.2	40.7	28.1	13.3	23.6	9.5	11.8	33.6
36x30	900x750	GFT3630 (WC)	51.1	40.7	34.6	15.9	25.9	8.6	11.8	36.3
42x4	1050x100	GFT4204 (WC)	28.3	47.4	4.8	5.2	14.1	11.7	3.3	28.9
42x6	1050x150	GFT4206 (WC)	28.3	47.4	7.1	6.2	14.1	10.6	3.9	29.9
42x8	1050x200	GFT4208 (WC)	33.0	47.4	9.6	7.0	16.5	11.7	4.9	30.7
42x10	1050x250	GFT4210 (WC)	33.0	47.4	11.9	8.9	16.5	10.6	6.5	32.6
42x12	1050x300	GFT4212 (WC)	37.7	47.4	14.4	8.0	18.8	11.7	5.9	31.7
42x15	1050x375	GFT4215 (WC)	37.7	47.4	17.6	11.4	18.9	10.0	7.8	35.1
42x18	1050x450	GFT4218 (WC)	42.4	47.4	21.4	11.9	21.2	10.5	8.8	35.6
42x24	1050x600	GFT4224 (WC)	47.1	47.4	28.1	13.3	23.6	9.5	11.8	37.0
42x30	1050x750	GFT4230 (WC)	51.8	47.4	34.6	16.1	25.9	8.6	11.8	39.8
42x36	1050x900	GFT4236 (WC)	56.6	47.4	40.7	16.5	28.3	7.9	14.1	40.1

**NOTES:**

- All pipe and fittings meet the requirements of AASHTO M294 Standard Specification for HDPE Pipe.
- Actual corrugation counts will vary depending on pipe diameter.
- All fitting dimensions are for reference only and actual dimensions may vary slightly.



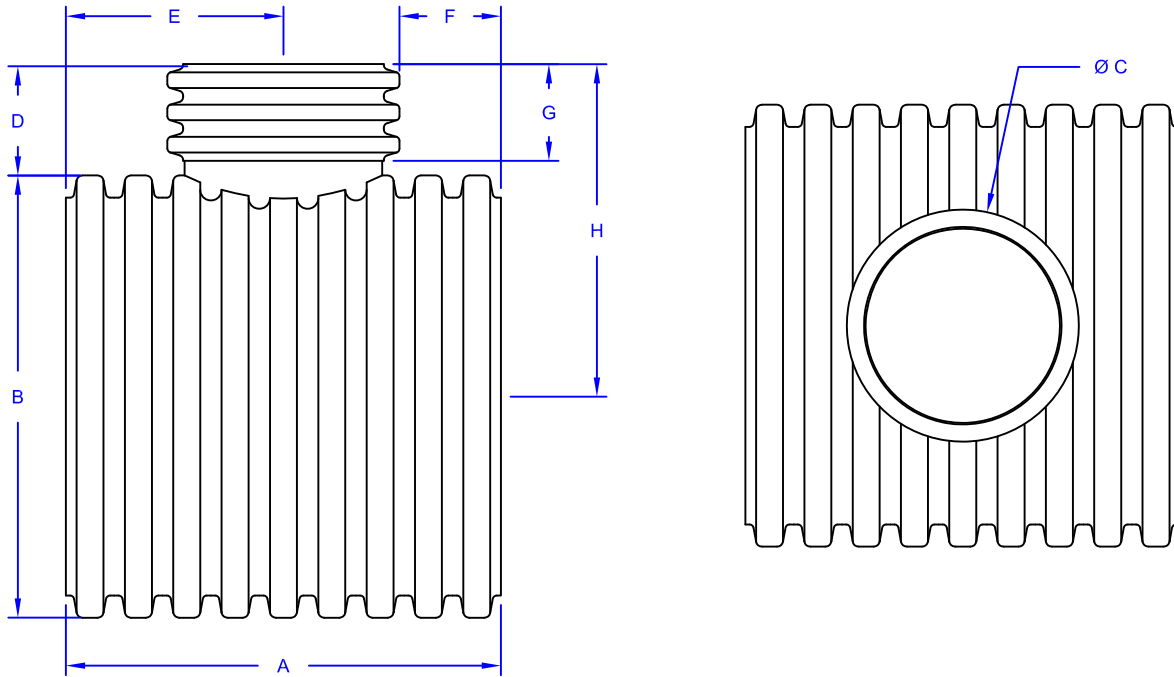
**DESCRIPTION:**

**GOLDFLO REDUCING  
TEE 36"-42" (WC)**

DRAWN BY: JAJ

SCALE: NTS

DATE: 03/05/2013



**GOLDFLO REDUCING TEE 48" (MW)**

Nominal I.D.		Part #	A (in)	B (in)	C (in)	D (in)	E (in)	F (in)	G (in)	H (in)
(in)	(mm)									
48x4	1200x100	GFT4804 (MW)	35.3	53.9	4.8	5.7	17.7	15.3	3.3	32.6
48x6	1200x150	GFT4806 (MW)	35.3	53.9	7.1	6.5	17.7	14.1	3.9	33.4
48x8	1200x200	GFT4808 (MW)	35.3	53.9	9.6	7.1	17.7	12.9	4.9	34.0
48x10	1200x250	GFT4810 (MW)	41.2	53.9	11.9	9.0	20.6	14.7	6.5	36.0
48x12	1200x300	GFT4812 (MW)	41.2	53.9	14.4	8.1	20.6	13.4	5.9	35.1
48x15	1200x375	GFT4815 (MW)	47.1	53.9	17.6	11.6	23.6	14.8	7.8	38.6
48x18	1200x450	GFT4818 (MW)	47.1	53.9	21.5	11.1	23.6	12.8	8.8	38.0
48x24	1200x600	GFT4824 (MW)	53.0	53.9	28.3	13.6	26.5	12.4	11.8	40.5
48x30	1200x750	GFT4830 (MW)	58.9	53.9	34.9	15.6	29.6	11.8	11.8	42.6
48x36	1200x900	GFT4836 (MW)	64.8	53.9	40.9	14.6	32.4	12.0	11.7	41.5
48x42	1200x1050	GFT4842 (MW)	70.7	53.9	47.7	22.3	35.3	11.5	17.7	49.2

**NOTES:**

- All pipe and fittings meet the requirements of AASHTO M294 Standard Specification for HDPE Pipe.
- Actual corrugation counts will vary depending on pipe diameter.
- All fitting dimensions are for reference only and actual dimensions may vary slightly.



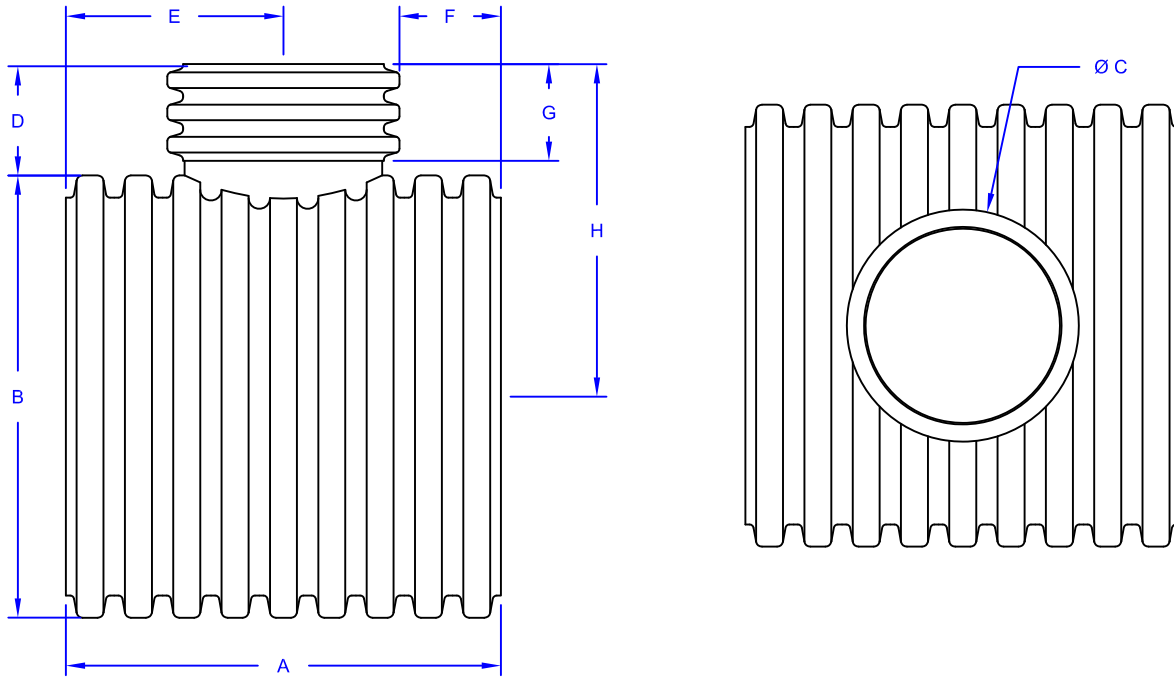
**DESCRIPTION:**

**GOLDFLO REDUCING  
TEE 48" (MW)**

DRAWN BY: JAJ

SCALE: NTS

DATE: 03/05/2013



**GOLDFLO REDUCING TEE 48" (WC)**

Nominal I.D.		Part #	A (in)	B (in)	C (in)	D (in)	E (in)	F (in)	G (in)	H (in)
(in)	(mm)									
48x4	1200x100	GFT4804 (WC)	28.3	54.3	4.8	5.7	14.1	11.7	3.3	32.8
48x6	1200x150	GFT4806 (WC)	28.3	54.3	7.1	6.5	14.1	10.6	3.9	33.6
48x8	1200x200	GFT4808 (WC)	33.0	54.3	9.6	7.1	16.5	11.7	4.9	34.2
48x10	1200x250	GFT4810 (WC)	33.0	54.3	11.9	9.0	16.5	10.6	6.5	36.2
48x12	1200x300	GFT4812 (WC)	37.7	54.3	14.4	8.1	18.9	11.6	5.9	35.3
48x15	1200x375	GFT4815 (WC)	37.7	54.3	17.6	11.6	18.9	10.0	7.8	38.8
48x18	1200x450	GFT4818 (WC)	42.4	54.3	21.4	11.1	21.2	10.5	8.8	38.2
48x24	1200x600	GFT4824 (WC)	47.1	54.3	28.1	13.6	23.6	9.5	11.8	40.7
48x30	1200x750	GFT4830 (WC)	51.8	54.3	34.6	15.7	25.9	8.6	11.8	42.8
48x36	1200x900	GFT4836 (WC)	61.3	54.3	40.7	17.0	30.6	10.3	14.1	44.2
48x42	1200x1050	GFT4842 (WC)	66.0	54.3	47.4	18.8	33.0	9.3	14.1	45.9

**NOTES:**

- All pipe and fittings meet the requirements of AASHTO M294 Standard Specification for HDPE Pipe.
- Actual corrugation counts will vary depending on pipe diameter.
- All fitting dimensions are for reference only and actual dimensions may vary slightly.



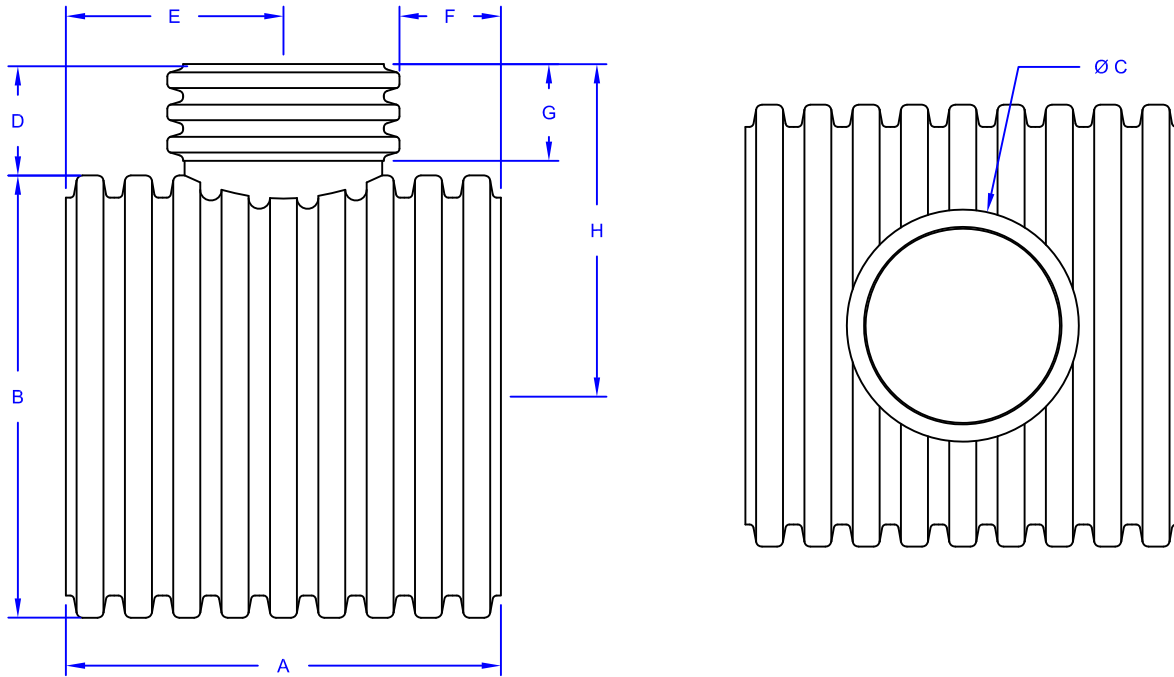
**DESCRIPTION:**

**GOLDFLO REDUCING TEE 48" (WC)**

DRAWN BY: JAJ

SCALE: NTS

DATE: 03/05/2013



GOLFLO REDUCING TEE 60"

Nominal I.D.		Part #	A (in)	B (in)	C (in)	D (in)	E (in)	F (in)	G (in)	H (in)
(in)	(mm)									
60x4	1500x100	GFT6004	35.2	66.9	4.8	5.7	17.6	15.2	3.3	39.1
60x6	1500x150	GFT6006	35.2	66.9	7.1	6.4	17.6	14.1	3.9	39.9
60x8	1500x200	GFT6008	35.2	66.9	9.6	7.1	17.6	12.8	4.9	40.5
60x10	1500x250	GFT6010	41.1	66.9	11.9	9.0	20.6	14.6	6.5	42.5
60x12	1500x300	GFT6012	41.1	66.9	14.4	8.4	20.6	13.3	5.9	41.8
60x15	1500x375	GFT6015	47.0	66.9	17.6	11.3	23.5	14.6	7.8	44.8
60x18	1500x450	GFT6018	47.0	66.9	21.4	11.8	23.5	12.8	8.8	45.3
60x24	1500x600	GFT6024	52.8	66.9	28.1	14.5	26.5	12.3	11.8	47.9
60x30	1500x750	GFT6030	58.7	66.9	34.6	14.8	29.4	12.0	11.8	48.2
60x36	1500x900	GFT6036	64.8	66.9	40.7	17.1	32.4	12.0	14.1	50.6
60x42	1500x1050	GFT6042	70.7	66.9	47.4	17.1	35.4	11.7	14.1	50.6
60x48	1500x1200	GFT6048	76.6	66.9	54.3	17.1	38.3	11.1	14.1	50.6

NOTES:

- All pipe and fittings meet the requirements of AASHTO M294 Standard Specification for HDPE Pipe.
- Actual corrugation counts will vary depending on pipe diameter.
- All fitting dimensions are for reference only and actual dimensions may vary slightly.



DESCRIPTION:

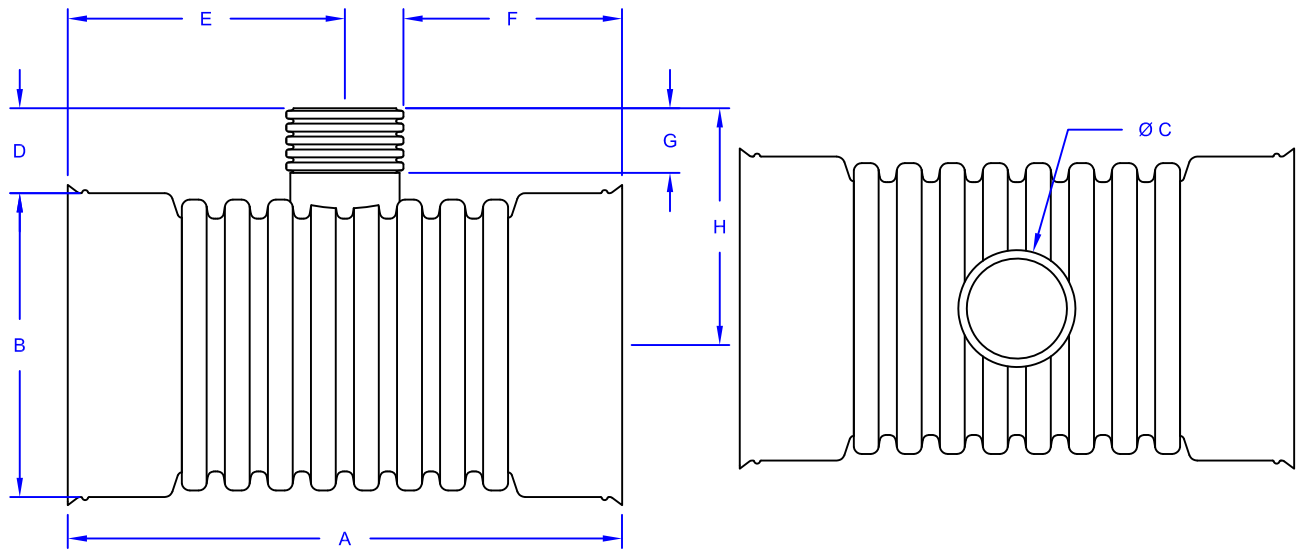
GOLFLO REDUCING TEE 60"

DRAWN BY: JAJ

SCALE: NTS

DATE: 03/05/2013





GOLDFLO REDUCING TEE 12" - 18" - BELLED

Nominal I.D.		Part #	A (in)	B (in)	C (in)	D (in)	E (in)	F (in)	G (in)	H (in)	# of Bells
(in)	(mm)										
12x4	300x100	GFT1204B2	27.4	15.1	4.8	3.8	13.7	11.3	3.3	11.4	2
12x6	300x150	GFT1206B2	29.3	15.1	7.1	4.9	14.7	11.1	3.9	12.5	2
12x8	300x200	GFT1208B2	31.3	15.1	9.6	5.6	15.7	10.8	4.9	13.2	2
12x10	300x250	GFT1210B2	33.3	15.1	11.9	8.3	16.6	10.7	6.5	15.8	2
15x4	375x100	GFT1504B2	31.0	18.4	4.8	3.9	15.5	13.1	3.3	13.1	2
15x6	375x150	GFT1506B2	33.6	18.4	7.1	5.1	16.8	13.3	3.9	14.4	2
15x8	375x200	GFT1508B2	33.6	18.4	9.6	7.2	16.8	12.0	4.9	16.4	2
15x10	375x250	GFT1510B2	36.2	18.4	11.9	8.0	18.1	12.2	6.5	17.2	2
15x12	375x300	GFT1512B3	38.8	18.4	14.8	13.1	19.4	12.0	11.7	22.3	3
18x4	450x100	GFT1804B2(MW)	34.6	22.1	4.8	4.0	17.3	14.9	3.3	15.1	2
		GFT1804B2(WC)	34.5	22.1	4.8	3.9	17.2	14.8	3.3	15.0	2
18x6	450x150	GFT1806B2(MW)	34.6	22.1	7.1	4.9	17.3	13.7	3.9	15.9	2
		GFT1806B2(WC)	34.5	22.1	7.1	4.8	17.2	13.7	3.9	15.9	2
18x8	450x200	GFT1808B2(MW)	37.5	22.1	9.6	5.9	18.8	13.8	4.9	17.0	2
		GFT1808B2(WC)	37.4	22.1	9.6	5.9	18.7	13.9	4.9	16.9	2
18x10	450x250	GFT1810B2(MW)	40.5	22.1	11.9	8.0	20.2	14.3	6.5	19.0	2
		GFT1810B2(WC)	40.4	22.1	11.9	7.9	20.2	14.3	6.5	19.0	2
18x12	450x300	GFT1812B3(MW)	40.5	22.1	14.8	13.6	20.2	12.7	11.9	24.6	3
		GFT1812B3(WC)	40.4	22.1	14.8	13.4	20.2	12.6	11.8	24.5	3
18x15	450x375	GFT1815B3(MW)	43.4	22.1	18.1	16.2	21.7	12.5	14.3	27.3	3
		GFT1815B3(WC)	43.3	22.1	18.1	16.1	21.7	12.4	14.3	27.2	3

NOTES:

- All pipe and fittings meet the requirements of AASHTO M294 Standard Specification for HDPE Pipe.
- Actual corrugation counts will vary depending on pipe diameter.
- All fitting dimensions are for reference only and actual dimensions may vary slightly.



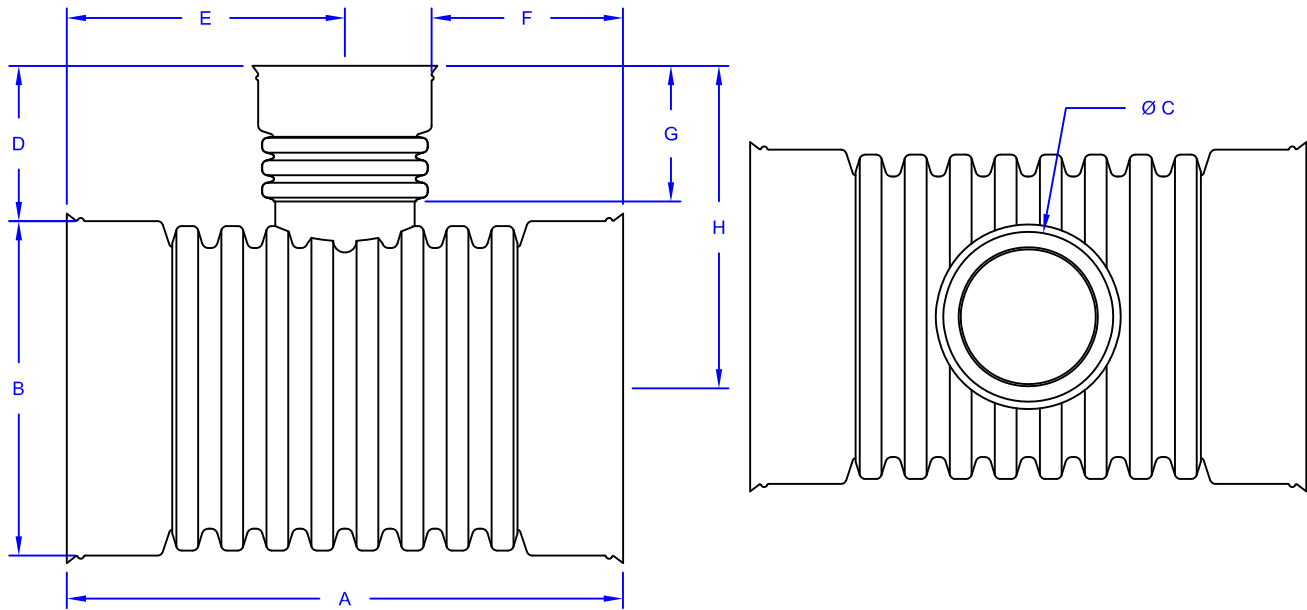
DESCRIPTION:

GOLDFLO REDUCING TEE 12"-18" - BELLED

DRAWN BY: JAJ

SCALE: NTS

DATE: 03/07/2013



GOLDFLO REDUCING TEE 24" - BELLED											
Nominal I.D.		Part #	A	B	C	D	E	F	G	H	# of Bells
(in)	(mm)		(in)	(in)	(in)	(in)	(in)	(in)	(in)	(in)	
24x4	600x100	GFT2404B2(MW)	40.7	29.2	4.8	3.4	20.3	17.9	3.3	18.0	2
		GFT2404B2(WC)	40.5	29.2	4.8	3.3	20.3	17.9	3.3	17.9	2
24x6	600x150	GFT2406B2(MW)	44.6	29.2	7.1	4.9	22.3	18.7	3.9	19.4	2
		GFT2406B2(WC)	44.5	29.2	7.1	4.8	22.2	18.7	3.9	19.3	2
24x8	600x200	GFT2408B2(MW)	44.6	29.2	9.6	6.0	22.3	17.5	4.9	20.6	2
		GFT2408B2(WC)	44.5	29.2	9.6	5.9	22.2	17.4	4.9	20.5	2
24x10	600x250	GFT2410B2(MW)	48.5	29.2	11.9	7.3	24.3	18.3	6.5	21.8	2
		GFT2410B2(WC)	48.4	29.2	11.9	7.2	24.2	18.3	6.5	21.7	2
24x12	600x300	GFT2412B3(MW)	48.5	29.2	14.8	13.5	24.3	16.7	11.8	28.1	3
		GFT2412B3(WC)	48.4	29.2	14.8	13.4	24.2	16.6	11.8	28.0	3
24x15	600x375	GFT2415B3(MW)	52.4	29.2	18.1	16.9	26.2	17.0	14.3	31.5	3
		GFT2415B3(WC)	52.3	29.2	18.1	16.9	26.2	17.0	14.3	31.4	3
24x18	600x450	GFT2418B3(MW)	52.4	29.2	21.8	17.6	26.2	15.2	15.8	32.2	3
		GFT2418B3(WC)	52.3	29.2	21.8	17.4	26.2	15.1	15.8	32.0	3

NOTES:

- All pipe and fittings meet the requirements of AASHTO M294 Standard Specification for HDPE Pipe.
- Actual corrugation counts will vary depending on pipe diameter.
- All fitting dimensions are for reference only and actual dimensions may vary slightly.



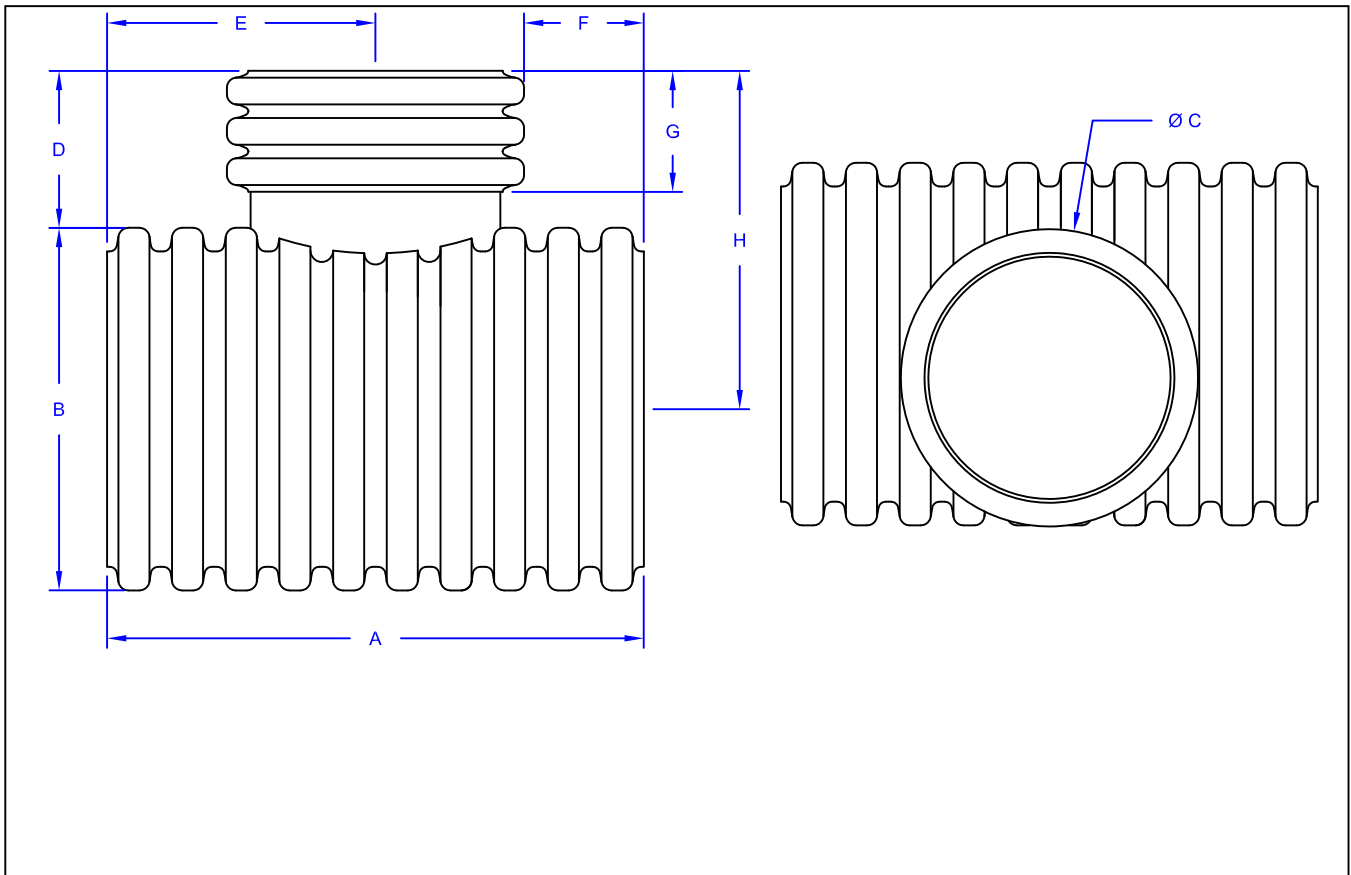
DESCRIPTION:

**GOLDFLO REDUCING TEE 24" - BELLED**

DRAWN BY: JAJ

SCALE: NTS

DATE: 03/07/2013



**GOLFLO REDUCING TEE 12" - 60" - ECCENTRIC**

Nominal I.D.		Part #	A (in)	B (in)	C (in)	D (in)	E (in)	F (in)	G (in)	H (in)
(in)	(mm)									
12x10	300x250	GFT1210E	21.6	14.4	11.9	8.6	10.8	4.9	6.5	15.8
15x12	375x300	GFT1512E	26.1	17.6	14.4	7.6	13.1	5.8	5.9	16.4
18x15	450x375	GFT1815E (MW)	29.5	21.5	17.6	10.1	14.7	5.9	7.8	20.8
		GFT1815E (WC)	29.5	21.4	17.6	10.1	14.7	5.9	7.8	20.8
24x18	600x450	GFT2418E (MW)	35.4	28.3	21.5	11.0	17.7	6.9	8.8	25.2
		GFT2418E (WC)	35.4	28.1	21.4	11.0	17.7	7.0	8.8	25.1
30x24	750x600	GFT3024E (MW)	43.2	34.9	28.3	13.3	21.6	7.5	11.8	30.8
		GFT3024E (WC)	43.2	34.6	28.1	13.3	21.6	7.6	11.8	30.6
36x30	900x750	GFT3630E (MW)	51.1	40.9	34.9	15.8	25.5	8.1	11.7	36.3
		GFT3630E (WC)	51.1	40.7	34.6	15.9	25.9	8.6	11.8	36.3
42x36	1050x900	GFT4236E (MW)	64.8	47.7	40.9	14.0	32.4	12.0	11.7	37.9
		GFT4236E (WC)	56.6	47.4	40.7	16.5	28.3	7.9	14.1	40.1
48x42	1200x1050	GFT4842E (MW)	70.7	53.9	47.7	22.3	35.3	11.5	17.7	49.2
		GFT4842E (WC)	66.0	54.3	47.4	18.8	33.0	9.3	14.1	45.9
60x48	1500x1200	GFT6048E	76.6	66.9	54.3	17.1	38.3	11.1	14.1	50.6

**NOTES:**

- All pipe and fittings meet the requirements of AASHTO M294 Standard Specification for HDPE Pipe.
- Actual corrugation counts will vary depending on pipe diameter.
- All fitting dimensions are for reference only and actual dimensions may vary slightly.



**DESCRIPTION:**

**GOLFLO REDUCING TEE 12"-60" - ECCENTRIC**

DRAWN BY: JAJ

SCALE: NTS

DATE: 03/07/2013