

GOLDFLO REDUCING WYE 6" - 15"						
Nominal I.D.		Part #	A (in)	B (in)	C (in)	D (in)
(in)	(mm)					
6x4	150x100	GFY0604	7.1	15.7	15.2	3.3
8x4	200x100	GFY0804	9.6	17.6	17.5	3.3
8x6	200x150	GFY0806	9.6	20.6	20.2	3.9
10x4	250x100	GFY1004	11.9	22.2	19.7	3.3
10x6	250x150	GFY1006	11.9	24.8	21.6	3.9
10x8	250x200	GFY1008	11.9	27.4	25.2	4.9
12x4	300x100	GFY1204	14.4	17.6	22.3	3.3
12x6	300x150	GFY1206	14.4	21.6	24.6	3.9
12x8	300x200	GFY1208	14.4	23.5	26.8	4.9
12x10	300x250	GFY1210	14.4	27.4	30.7	6.5
15x4	375x100	GFY1504	17.6	20.9	25.7	3.3
15x6	375x150	GFY1506	17.6	23.5	27.6	3.9
15x8	375x200	GFY1508	17.6	26.1	30.2	4.9
15x10	375x250	GFY1510	17.6	31.3	33.1	6.5
15x12	375x300	GFY1512	17.6	31.3	33.6	5.9

NOTES:

- All pipe and fittings meet the requirements of AASHTO M294 Standard Specification for HDPE Pipe.
- Actual corrugation counts will vary depending on pipe diameter.
- All fitting dimensions are for reference only and actual dimensions may vary slightly.



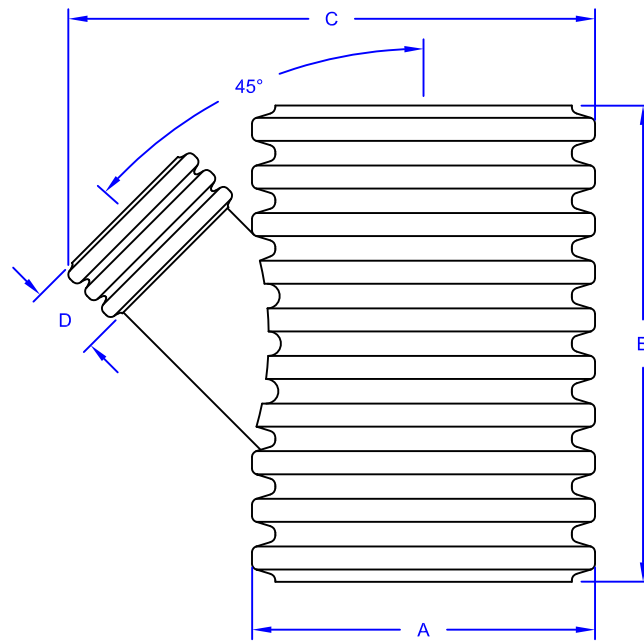
DESCRIPTION:

GOLDFLO REDUCING
WYE 6" - 15"

DRAWN BY: JAJ

SCALE: NTS

DATE: 03/05/2013



GOLDFLO REDUCING WYE 18" - 30" (MW)

Nominal I.D.		Part #	A (in)	B (in)	C (in)	D (in)
(in)	(mm)					
18x4	450x100	GFY1804 (MW)	21.5	23.5	29.9	3.3
18x6	450x150	GFY1806 (MW)	21.5	26.5	31.8	3.9
18x8	450x200	GFY1808 (MW)	21.5	29.5	33.7	4.9
18x10	450x250	GFY1810 (MW)	21.5	32.4	37.2	6.5
18x12	450x300	GFY1812 (MW)	21.5	32.4	37.1	5.9
18x15	450x375	GFY1815 (MW)	21.5	38.3	41.2	7.8
24x4	600x100	GFY2404 (MW)	28.3	27.5	35.5	3.3
24x6	600x150	GFY2406 (MW)	28.3	31.4	39.6	3.9
24x8	600x200	GFY2408 (MW)	28.3	35.4	41.8	4.9
24x10	600x250	GFY2410 (MW)	28.3	35.4	42.2	6.5
24x12	600x300	GFY2412 (MW)	28.3	39.3	43.5	5.9
24x15	600x375	GFY2415 (MW)	28.3	43.2	47.6	7.8
24x18	600x450	GFY2418 (MW)	28.3	47.1	52.9	8.8
30x4	750x100	GFY3004 (MW)	34.9	27.5	43.1	3.3
30x6	750x150	GFY3006 (MW)	34.9	31.4	45.7	3.9
30x8	750x200	GFY3008 (MW)	34.9	35.4	47.9	4.9
30x10	750x250	GFY3010 (MW)	34.9	39.3	49.0	6.5
30x12	750x300	GFY3012 (MW)	34.9	39.3	50.3	5.9
30x15	750x375	GFY3015 (MW)	34.9	43.2	55.1	7.8
30x18	750x450	GFY3018 (MW)	34.9	47.1	59.0	8.8

NOTES:

- All pipe and fittings meet the requirements of AASHTO M294 Standard Specification for HDPE Pipe.
- Actual corrugation counts will vary depending on pipe diameter.
- All fitting dimensions are for reference only and actual dimensions may vary slightly.



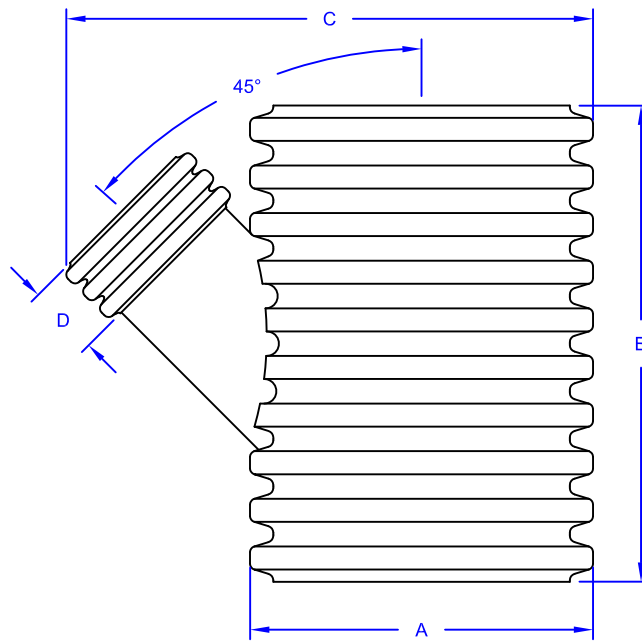
DESCRIPTION:

GOLDFLO REDUCING
WYE 18" - 30" (MW)

DRAWN BY: JAJ

SCALE: NTS

DATE: 03/05/2013



GOLDFLO REDUCING WYE 18" - 30" (WC)						
Nominal I.D.		Part #	A (in)	B (in)	C (in)	D (in)
(in)	(mm)					
18x4	450x100	GFY1804 (WC)	21.4	23.6	29.7	3.3
18x6	450x150	GFY1806 (WC)	21.4	26.5	31.6	3.9
18x8	450x200	GFY1808 (WC)	21.4	29.5	33.4	4.9
18x10	450x250	GFY1810 (WC)	21.4	32.4	37.0	6.5
18x12	450x300	GFY1812 (WC)	21.4	32.4	36.8	5.9
18x15	450x375	GFY1815 (WC)	21.4	38.3	41.0	7.8
24x4	600x100	GFY2404 (WC)	28.1	27.5	35.3	3.3
24x6	600x150	GFY2406 (WC)	28.1	31.4	39.3	3.9
24x8	600x200	GFY2408 (WC)	28.1	35.4	41.5	4.9
24x10	600x250	GFY2410 (WC)	28.1	35.4	41.9	6.5
24x12	600x300	GFY2412 (WC)	28.1	39.3	43.2	5.9
24x15	600x375	GFY2415 (WC)	28.1	43.2	47.3	7.8
24x18	600x450	GFY2418 (WC)	28.1	47.1	52.4	8.8
30x4	750x100	GFY3004 (WC)	34.6	27.5	42.7	3.3
30x6	750x150	GFY3006 (WC)	34.6	31.4	45.3	3.9
30x8	750x200	GFY3008 (WC)	34.6	35.4	47.5	4.9
30x10	750x250	GFY3010 (WC)	34.6	39.3	48.6	6.5
30x12	750x300	GFY3012 (WC)	34.6	39.3	49.9	5.9
30x15	750x375	GFY3015 (WC)	34.6	43.2	54.7	7.8
30x18	750x450	GFY3018 (WC)	34.6	47.1	58.4	8.9

NOTES:

- All pipe and fittings meet the requirements of AASHTO M294 Standard Specification for HDPE Pipe.
- Actual corrugation counts will vary depending on pipe diameter.
- All fitting dimensions are for reference only and actual dimensions may vary slightly.



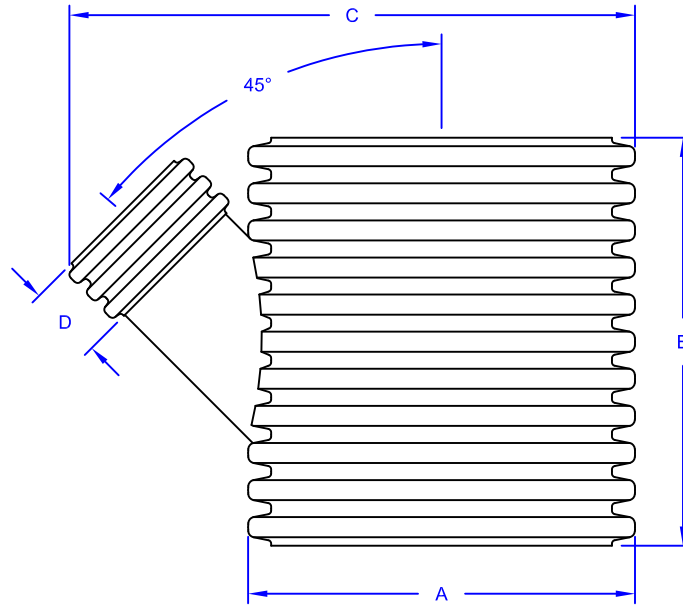
DESCRIPTION:

GOLDFLO REDUCING
WYE 18" - 30" (WC)

DRAWN BY: JAJ

SCALE: NTS

DATE: 03/05/2013



GOLFLO REDUCING WYE 36" - 48" (MW)						
Nominal I.D.		Part #	A (in)	B (in)	C (in)	D (in)
(in)	(mm)					
36x4	900x100	GFY3604 (MW)	40.9	27.4	49.2	3.3
36x6	900x150	GFY3606 (MW)	40.9	31.4	51.8	3.9
36x8	900x200	GFY3608 (MW)	40.9	35.3	54.0	4.9
36x10	900x250	GFY3610 (MW)	40.9	39.2	55.1	6.5
36x12	900x300	GFY3612 (MW)	40.9	39.2	58.5	5.9
36x15	900x375	GFY3615 (MW)	40.9	43.1	59.8	7.8
36x18	900x450	GFY3618 (MW)	40.9	47.0	65.1	8.8
36x24	900x600	GFY3624 (MW)	Fabricated with Reducing Tee and 45° Elbow			
42x4	1050x100	GFY4204 (MW)	47.7	41.2	56.2	3.3
42x6	1050x150	GFY4206 (MW)	47.7	41.2	58.9	3.9
42x8	1050x200	GFY4208 (MW)	47.7	47.1	61.1	4.9
42x10	1050x250	GFY4210 (MW)	47.7	47.1	62.9	6.5
42x12	1050x300	GFY4212 (MW)	47.7	53.0	64.9	5.9
42x15	1050x375	GFY4215 (MW)	47.7	53.0	68.3	7.8
42x18	1050x450	GFY4218 (MW)	47.7	58.9	71.5	8.8
42x24	1050x600	GFY4224 (MW)	Fabricated with Reducing Tee and 45° Elbow			
48x4	1200x100	GFY4804 (MW)	53.9	41.2	62.4	3.3
48x6	1200x150	GFY4806 (MW)	53.9	41.2	65.0	3.9
48x8	1200x200	GFY4808 (MW)	53.9	47.1	67.3	4.9
48x10	1200x250	GFY4810 (MW)	53.9	47.1	69.1	6.5
48x12	1200x300	GFY4812 (MW)	53.9	53.0	71.0	5.9
48x15	1200x375	GFY4815 (MW)	53.9	53.0	74.5	7.8
48x18	1200x450	GFY4818 (MW)	53.9	58.9	77.6	8.8
48x24	1200x600	GFY4824 (MW)	Fabricated with Reducing Tee and 45° Elbow			

NOTES:

- All pipe and fittings meet the requirements of AASHTO M294 Standard Specification for HDPE Pipe.
- Actual corrugation counts will vary depending on pipe diameter.
- All fitting dimensions are for reference only and actual dimensions may vary slightly.

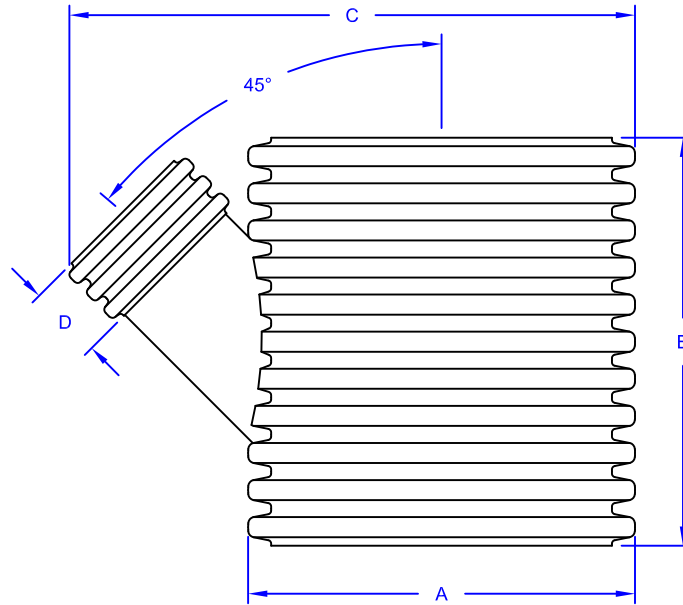


DESCRIPTION:

GOLFLO REDUCING
WYE 36" - 48" (MW)

DRAWN BY: JAJ
DATE: 03/05/2013

SCALE: NTS



GOLDFLO REDUCING WYE 36" - 48" (WC)

Nominal I.D.		Part #	A (in)	B (in)	C (in)	D (in)
(in)	(mm)					
36x4	900x100	GFY3604 (WC)	40.7	33.0	48.9	3.3
36x6	900x150	GFY3606 (WC)	40.7	33.0	51.5	3.9
36x8	900x200	GFY3608 (WC)	40.7	37.7	53.7	4.9
36x10	900x250	GFY3610 (WC)	40.7	42.4	54.8	6.5
36x12	900x300	GFY3612 (WC)	40.7	42.4	58.2	5.9
36x15	900x375	GFY3615 (WC)	40.7	47.2	59.5	7.8
36x18	900x450	GFY3618 (WC)	40.7	51.9	64.6	8.8
36x24	900x600	GFY3624 (WC)	40.7	61.3	70.3	11.8
42x4	1050x100	GFY4204 (WC)	47.4	33.0	55.7	3.3
42x6	1050x150	GFY4206 (WC)	47.4	37.7	58.2	3.9
42x8	1050x200	GFY4208 (WC)	47.4	37.7	60.6	4.9
42x10	1050x250	GFY4210 (WC)	47.4	42.4	62.4	6.5
42x12	1050x300	GFY4212 (WC)	47.4	42.4	64.3	5.9
42x15	1050x375	GFY4215 (WC)	47.4	47.1	67.8	7.8
42x18	1050x450	GFY4218 (WC)	47.4	51.8	70.8	8.8
42x24	1050x600	GFY4224 (WC)	47.4	61.3	77.1	11.8
48x4	1200x100	GFY4804 (WC)	54.3	33.0	62.7	3.3
48x6	1200x150	GFY4806 (WC)	54.3	37.7	65.3	3.9
48x8	1200x200	GFY4808 (WC)	54.3	37.3	67.5	4.9
48x10	1200x250	GFY4810 (WC)	54.3	42.4	69.4	6.5
48x12	1200x300	GFY4812 (WC)	54.3	42.4	71.3	5.9
48x15	1200x375	GFY4815 (WC)	54.3	47.1	74.7	7.8
48x18	1200x450	GFY4818 (WC)	54.3	51.8	77.7	8.8
48x24	1200x600	GFY4824 (WC)	54.3	61.3	84.1	11.8

NOTES:

- All pipe and fittings meet the requirements of AASHTO M294 Standard Specification for HDPE Pipe.
- Actual corrugation counts will vary depending on pipe diameter.
- All fitting dimensions are for reference only and actual dimensions may vary slightly.



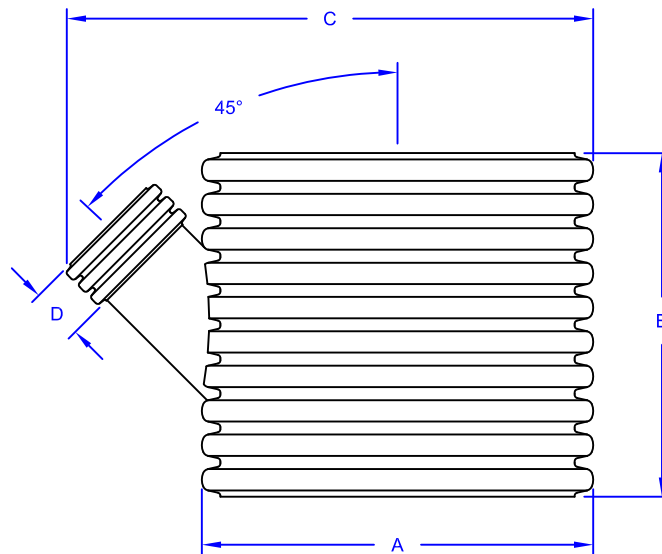
DESCRIPTION:

GOLDFLO REDUCING
WYE 36" - 48" (WC)

DRAWN BY: JAJ

SCALE: NTS

DATE: 03/05/2013



GOLFLO REDUCING WYE 60"						
Nominal I.D.		Part #	A (in)	B (in)	C (in)	D (in)
(in)	(mm)					
60x4	1500x100	GFY6004	66.9	41.1	75.5	3.3
60x6	1500x150	GFY6006	66.9	41.1	77.4	3.9
60x8	1500x200	GFY6008	66.9	47.0	79.6	4.9
60x10	1500x250	GFY6010	66.9	47.0	82.1	6.5
60x12	1500x300	GFY6012	66.9	52.9	83.4	5.9
60x15	1500x375	GFY6015	66.9	52.9	86.8	7.8
60x18	1500x450	GFY6018	66.9	58.7	90.0	8.8
60x24	1500x600	GFY6024	66.9	64.6	96.3	11.8

NOTES:

- All pipe and fittings meet the requirements of AASHTO M294 Standard Specification for HDPE Pipe.
- Actual corrugation counts will vary depending on pipe diameter.
- All fitting dimensions are for reference only and actual dimensions may vary slightly.



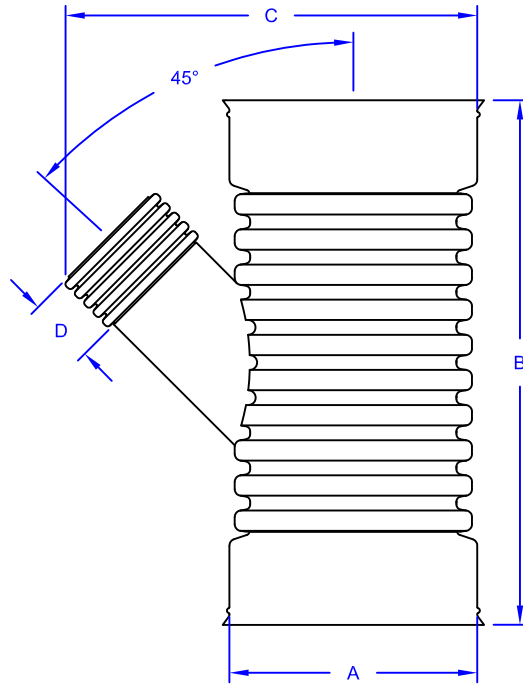
DESCRIPTION:

GOLFLO REDUCING
WYE 60"

DRAWN BY: JAJ

SCALE: NTS

DATE: 03/05/2013



GOLDFLO REDUCING WYE 12" - 18" - BELLED							
Nominal I.D.		Part #	A (in)	B (in)	C (in)	D (in)	# of Bells
(in)	(mm)						
12x4	300x100	GFY1204B2	15.1	29.7	23.1	3.3	2
12x6	300x150	GFY1206B2	15.1	33.4	25.4	3.9	2
12x8	300x200	GFY1208B2	15.1	35.4	27.7	4.9	2
12x10	300x250	GFY1210B2	15.1	39.3	31.6	6.5	2
15x4	375x100	GFY1504B2	18.4	33.7	26.1	3.3	2
15x6	375x150	GFY1506B2	18.4	36.4	28.5	3.9	2
15x8	375x200	GFY1508B2	18.4	39.0	31.1	4.9	2
15x10	375x250	GFY1510B2	18.4	44.2	34.0	6.5	2
15x12	375x300	GFY1512B3	18.4	44.2	39.7	11.8	3
18x4	450x100	GFY1804B2(MW)	22.1	37.5	30.2	3.3	2
		GFY1804B2(WC)	22.1	37.4	30.0	3.3	2
18x6	450x150	GFY1806B2(MW)	22.1	40.5	32.1	3.9	2
		GFY1806B2(WC)	22.1	40.4	31.9	3.9	2
18x8	450x200	GFY1808B2(MW)	22.1	43.4	34.0	4.9	2
		GFY1808B2(WC)	22.1	43.3	33.8	4.9	2
18x10	450x250	GFY1810B2(MW)	22.1	46.4	37.5	6.5	2
		GFY1810B2(WC)	22.1	46.3	37.4	6.5	2
18x12	450x300	GFY1812B3(MW)	22.1	46.4	42.6	11.8	3
		GFY1812B3(WC)	22.1	46.3	42.4	11.8	3
18x15	450x375	GFY1815B3(MW)	22.1	52.3	47.3	14.3	3
		GFY1815B3(WC)	22.1	52.1	47.1	14.3	3

NOTES:

- All pipe and fittings meet the requirements of AASHTO M294 Standard Specification for HDPE Pipe.
- Actual corrugation counts will vary depending on pipe diameter.
- All fitting dimensions are for reference only and actual dimensions may vary slightly.



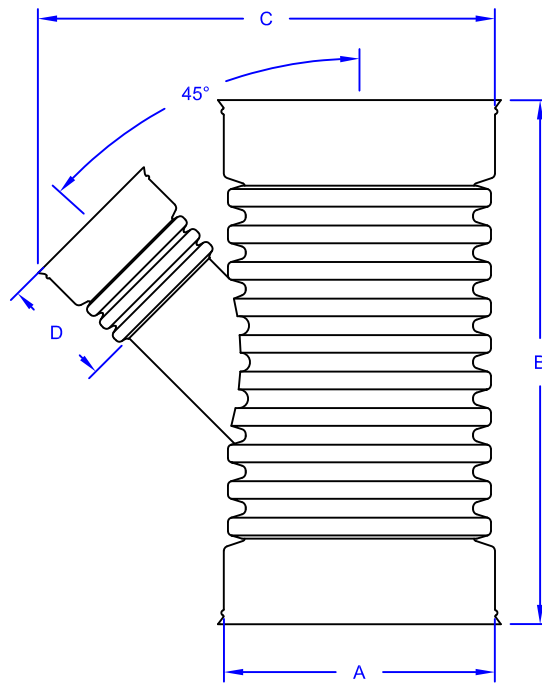
DESCRIPTION:

GOLDFLO REDUCING
WYE 12"-18" - BELLED

DRAWN BY: JAJ

SCALE: NTS

DATE: 03/06/2013



GOLFLO REDUCING WYE 24" - BELLED							
Nominal I.D.		Part #	A (in)	B (in)	C (in)	D (in)	# of Bells
(in)	(mm)						
24x4	600x100	GFY2404B2(MW)	29.2	44.6	36.0	3.3	2
		GFY2404B2(WC)	29.2	44.5	35.8	3.3	2
24x6	600x150	GFY2406B2(MW)	29.2	48.5	40.0	3.9	2
		GFY2406B2(WC)	29.2	48.4	39.8	3.9	2
24x8	600x200	GFY2408B2(MW)	29.2	52.4	42.2	4.9	2
		GFY2408B2(WC)	29.2	52.3	42.0	4.9	2
24x10	600x250	GFY2410B2(MW)	29.2	52.4	42.6	6.5	2
		GFY2410B2(WC)	29.2	52.3	42.4	6.5	2
24x12	600x300	GFY2412B3(MW)	29.2	56.4	49.2	11.9	3
		GFY2412B3(WC)	29.2	56.3	48.9	11.8	3
24x15	600x375	GFY2415B3(MW)	29.2	60.3	53.8	14.3	3
		GFY2415B3(WC)	29.2	60.2	53.6	14.3	3
24x18	600x450	GFY2418B3(MW)	29.2	64.2	59.4	15.8	3
		GFY2418B3(WC)	29.2	64.1	59.1	15.8	3

NOTES:

- All pipe and fittings meet the requirements of AASHTO M294 Standard Specification for HDPE Pipe.
- Actual corrugation counts will vary depending on pipe diameter.
- All fitting dimensions are for reference only and actual dimensions may vary slightly.



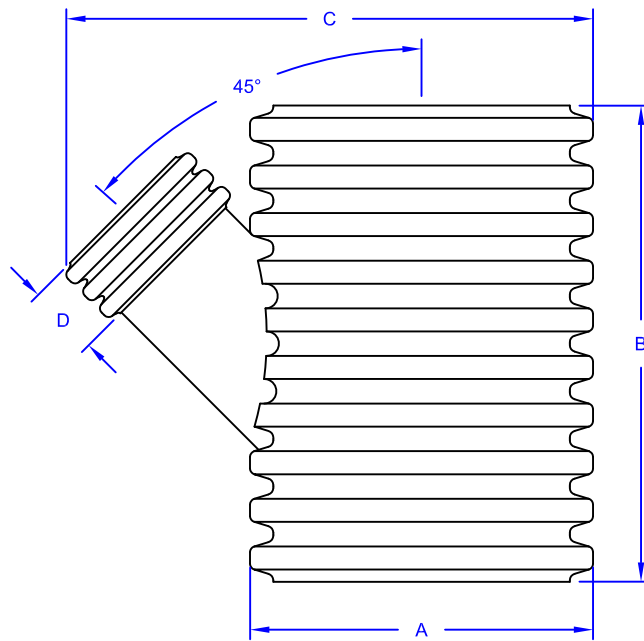
DESCRIPTION:

GOLFLO REDUCING
WYE 24" - BELLED

DRAWN BY: JAJ

SCALE: NTS

DATE: 03/06/2013



GOLDFLO REDUCING WYE 15" - 24" - ECCENTRIC						
Nominal I.D.		Part #	A (in)	B (in)	C (in)	D (in)
(in)	(mm)					
15x12	375x300	GFY1512	17.6	31.3	33.6	5.9
18x15	450x375	GFY1815 (MW)	21.5	38.3	41.2	7.8
		GFY1815 (WC)	21.4	38.3	41.0	7.8
24x18	600x450	GFY2418 (MW)	28.3	47.1	52.9	8.8
		GFY2418 (WC)	28.1	47.1	52.4	8.8

NOTES:

- All pipe and fittings meet the requirements of AASHTO M294 Standard Specification for HDPE Pipe.
- Actual corrugation counts will vary depending on pipe diameter.
- All fitting dimensions are for reference only and actual dimensions may vary slightly.



DESCRIPTION:

GOLDFLO REDUCING WYE
15" - 24" - ECCENTRIC

DRAWN BY: JAJ

SCALE: NTS

DATE: 03/06/2013