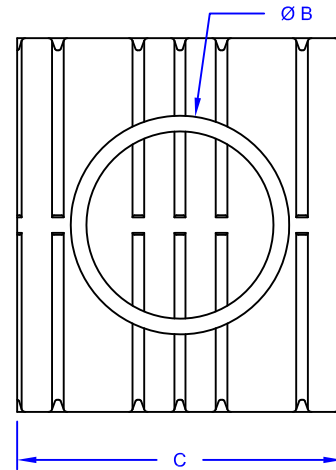
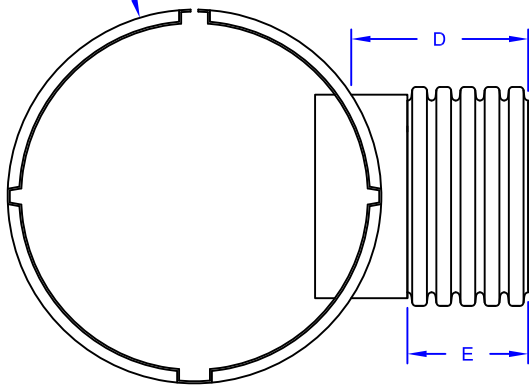


A
SPLIT COUPLER Ø



GOLDFLO SADDLE TEE 10" - 18"

Nominal I.D.		Part #	A (in)	B (in)	C (in)	D (in)	E (in)
(in)	(mm)						
10x4	250x100	GFST1004	10	4.8	5.3	5.2	3.3
10x6	250x150	GFST1006	10	7.1	10.6	5.7	3.9
10x8	250x200	GFST1008	10	9.6	10.6	7.8	4.9
12x4	300x100	GFST1204	12	4.8	7.8	5.0	3.3
12x6	300x150	GFST1206	12	7.1	7.8	6.0	3.9
12x8	300x200	GFST1208	12	9.6	15.7	7.8	4.9
12x10	300x250	GFST1210	12	11.9	15.7	10.4	6.5
15x4	375x100	GFST1504	15	4.8	10.4	5.2	3.3
15x6	375x150	GFST1506	15	7.1	10.4	5.9	3.9
15x8	375x200	GFST1508	15	9.6	10.4	7.7	4.9
15x10	375x250	GFST1510	15	11.9	20.9	10.0	6.5
15x12	375x300	GFST1512	15	14.4	20.9	9.8	5.9
18x4	450x100	GFST1804	18	4.8	11.8	4.1	3.3
18x6	450x150	GFST1806	18	7.1	11.8	6.6	3.9
18x8	450x200	GFST1808	18	9.6	11.8	7.3	4.9
18x10	450x250	GFST1810	18	11.9	23.6	9.2	6.5
18x12	450x300	GFST1812	18	14.4	23.6	9.8	5.9
18x15	450x375	GFST1815	18	17.6	23.6	12.6	7.8

NOTES:

- All pipe and fittings meet the requirements of AASHTO M294 Standard Specification for HDPE Pipe.
- Actual corrugation counts will vary depending on pipe diameter.
- All fitting dimensions are for reference only and actual dimensions may vary slightly.



DESCRIPTION:

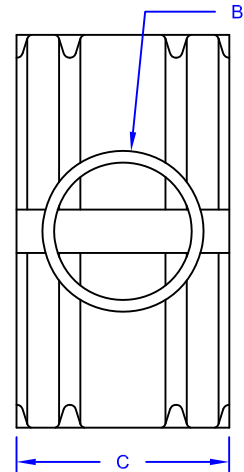
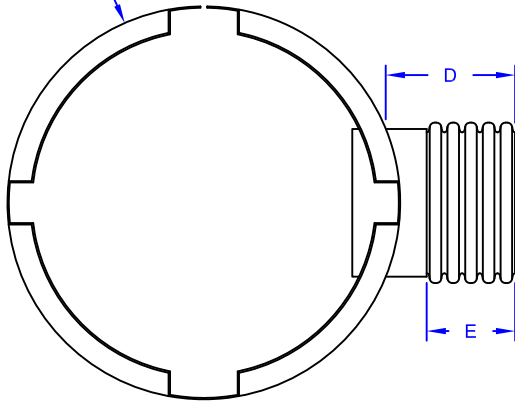
GOLDFLO SADDLE TEE
10" - 18"

DRAWN BY: JAJ

SCALE: NTS

DATE: 03/05/2013

A
SPLIT COUPLER Ø



GOLDFLO SADDLE TEE 24" - 30"

Nominal I.D.		Part #	A (in)	B (in)	C (in)	D (in)	E (in)
(in)	(mm)						
24x4	600x100	GFST2404	24	4.8	15.7	4.5	3.3
24x6	600x150	GFST2406	24	7.1	15.7	5.1	3.9
24x8	600x200	GFST2408	24	9.6	15.7	7.0	4.9
24x10	600x250	GFST2410	24	11.9	15.7	9.6	6.5
24x12	600x300	GFST2412	24	14.4	15.7	9.8	5.9
24x15	600x375	GFST2415	24	17.6	31.4	11.8	7.8
30x4	750x100	GFST3004	30	4.8	15.7	4.8	3.3
30x6	750x150	GFST3006	30	7.1	15.7	5.4	3.9
30x8	750x200	GFST3008	30	9.6	15.7	6.8	4.9
30x10	750x250	GFST3010	30	11.9	15.7	9.9	6.5
30x12	750x300	GFST3012	30	14.4	15.7	8.9	5.9
30x15	750x375	GFST3015	30	17.6	31.4	12.4	7.8

NOTES:

- All pipe and fittings meet the requirements of AASHTO M294 Standard Specification for HDPE Pipe.
- Actual corrugation counts will vary depending on pipe diameter.
- All fitting dimensions are for reference only and actual dimensions may vary slightly.



DESCRIPTION:

GOLDFLO SADDLE TEE
24" - 30"

DRAWN BY: JAJ

SCALE: NTS

DATE: 03/05/2013