

GOLDFLO TEE						
Nominal I.D.		Part #	A (in)	B (in)	C (in)	D (in)
(in)	(mm)					
4	100	GFT0404	11.8	4.8	5.9	3.5
6	150	GFT0606	15.7	7.1	7.8	4.3
8	200	GFT0808	19.6	9.6	9.8	5.0
10	250	GFT1010	26.1	11.9	13.1	7.1
12	300	GFT1212	23.5	14.4	11.7	4.5
15	375	GFT1515	28.7	17.6	14.4	5.5
18	450	GFT1818 (MW)	35.4	21.5	17.7	6.9
		GFT1818 (WC)	35.4	21.4	17.7	7.0
24	600	GFT2424 (MW)	47.1	28.3	23.6	9.4
		GFT2424 (WC)	47.1	28.1	23.6	9.5
30	750	GFT3030 (MW)	55.0	34.9	27.5	10.0
		GFT3030 (WC)	55.0	34.6	27.5	10.2
36	900	GFT3636 (MW)	62.8	40.9	31.4	11.0
		GFT3636 (WC)	61.3	40.7	30.7	10.3
42	1050	GFT4242 (MW)	76.6	47.7	38.3	14.4
		GFT4242 (WC)	66.0	47.4	33.0	9.3
48	1200	GFT4848 (MW)	82.5	53.9	41.2	14.3
		GFT4848 (WC)	75.4	54.3	37.7	10.6
60	1500	GFT6060	94.2	66.9	47.1	13.7

NOTES:

- All pipe and fittings meet the requirements of AASHTO M294 Standard Specification for HDPE Pipe.
- Actual corrugation counts will vary depending on pipe diameter.
- All fitting dimensions are for reference only and actual dimensions may vary slightly.



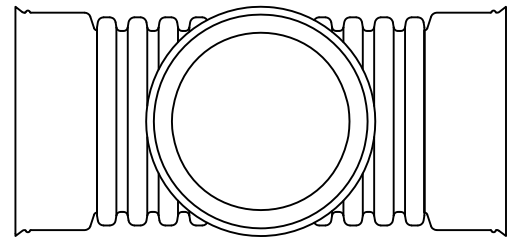
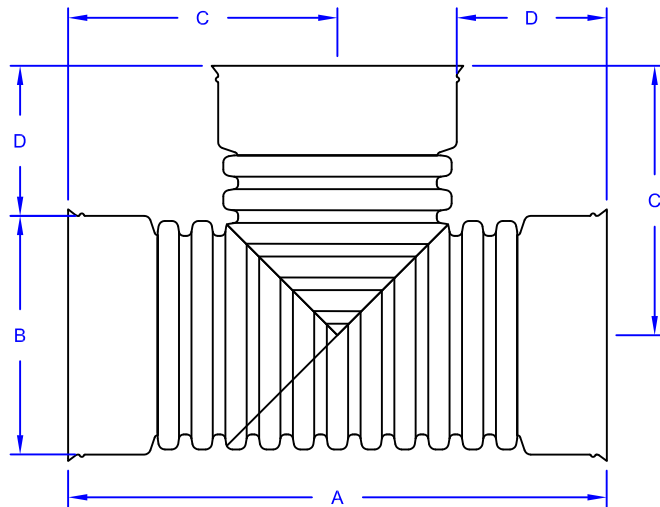
DESCRIPTION:

GOLDFLO TEE

DRAWN BY: JAJ

SCALE: NTS

DATE: 03/01/2013



GOLDFLO TEE 12"-24" - BELLED						
Nominal I.D.		Part #	A (in)	B (in)	C (in)	D (in)
(in)	(mm)					
12	300	GFT1212B3	35.2	15.1	17.6	10.1
15	375	GFT1515B3	41.6	18.4	20.8	11.6
18	450	GFT1818B3	48.8	22.1	24.4	13.4
24	600	GFT2424B3	63.7	29.2	31.8	17.3

NOTES:

- All pipe and fittings meet the requirements of AASHTO M294 Standard Specification for HDPE Pipe.
- Actual corrugation counts will vary depending on pipe diameter.
- All fitting dimensions are for reference only and actual dimensions may vary slightly.



DESCRIPTION:

GOLDFLO TEE 12"-24"
BELLED

DRAWN BY: JAJ

SCALE: NTS

DATE: 03/06/2013