

FIGURE 1. INLET MANIFOLD WITH STUBS INTO END CAP OF EACH STORM CHAMBER ROW.

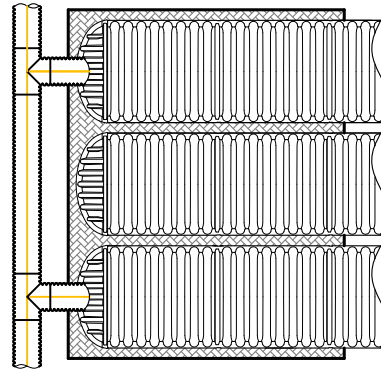


FIGURE 2. INLET MANIFOLD WITH STUBS INTO END CAP OF ALTERNATING STORM CHAMBER ROWS.

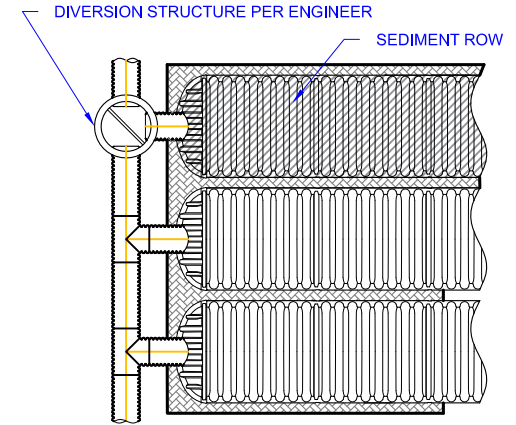


FIGURE 3. DIVERSION STRUCTURE PER ENGINEER TO DIRECT INITIAL/ LOW FLOW TO SEDIMENT ROW AHEAD OF INLET MANIFOLD.

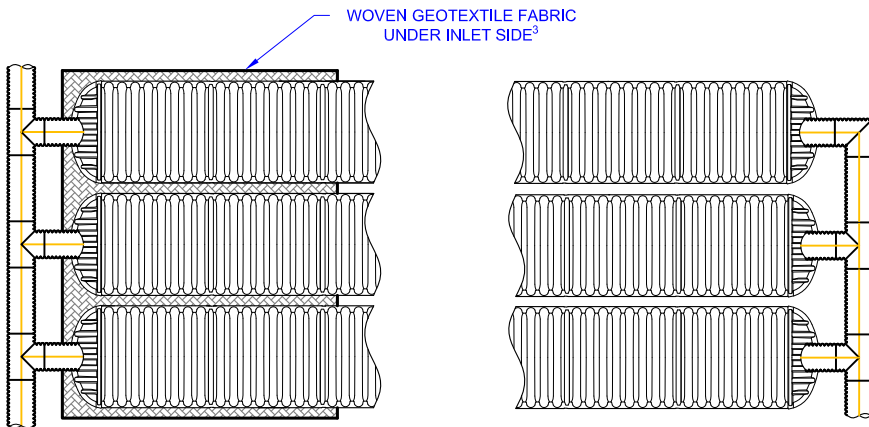


FIGURE 4. INLET MANIFOLD ON THE LEFT SIDE AND OUTLET MANIFOLD ON THE RIGHT SIDE.

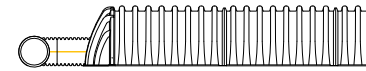


FIGURE 5. HEADER WITH SAME SIZE MANIFOLD STUB INTO END CAP.

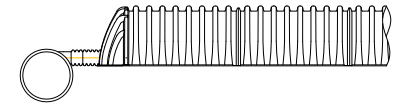


FIGURE 6. HEADER WITH REDUCING STUB AT CROWN INTO INVERT OF END CAP WITH HEADER INVERT BELOW CHAMBER INVERT.

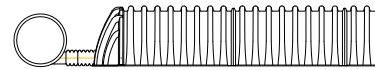


FIGURE 7. HEADER WITH REDUCING STUB AT FLOWLINE INTO END CAP.



FIGURE 8. HEADER WITH REDUCING STUB AT CROWN INTO TOP OF END CAP WITH HEADER INVERT AT OR BELOW STUB INVERT.

NOTES:

1. THERE ARE MANY INLET HEADER AND OUTLET HEADER POSSIBILITIES. THE CONFIGURATIONS SHOWN ON THIS DRAWING ARE JUST A FEW OF THE OPTIONS.

2. INLET AND OUTLET MANIFOLDS SHALL BE INSERTED AT LEAST 12" (300 mm) INTO CHAMBER END CAPS. MANIFOLD HEADERS SHALL BE AT LEAST 12" (300 mm) FROM THE BASE OF THE END CAPS.

3. PRINSCO RECOMMENDS A SCOUR CONTROL MEASURE AT INLETS SUCH AS A WOVEN GEOTEXTILE FABRIC TO PROTECT FOUNDATION STONE. REFER TO PRINSCO'S SCOUR PROTECTION DETAIL.