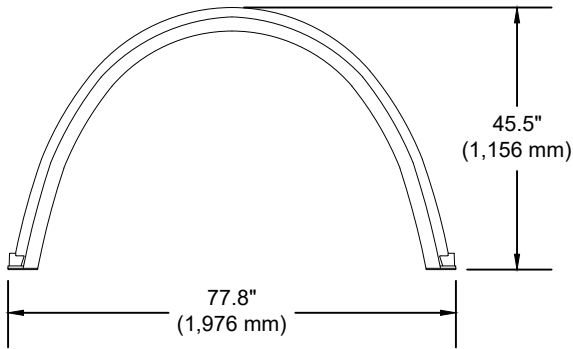
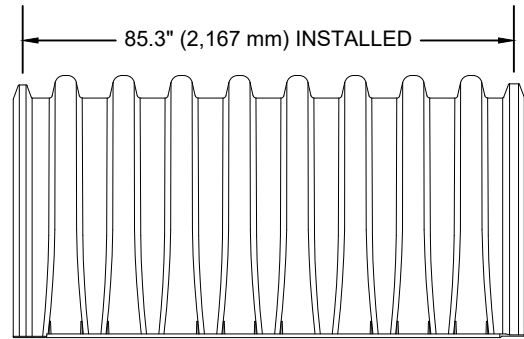
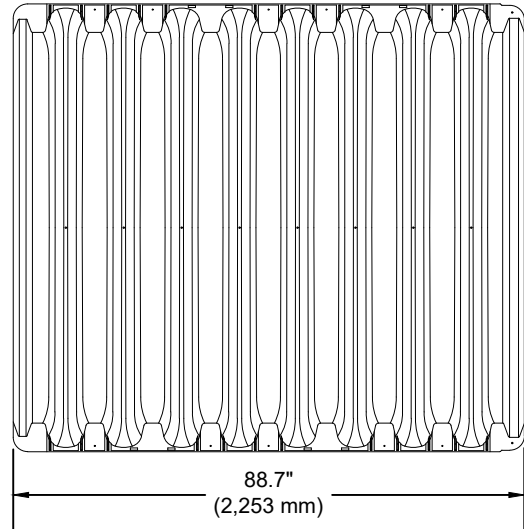
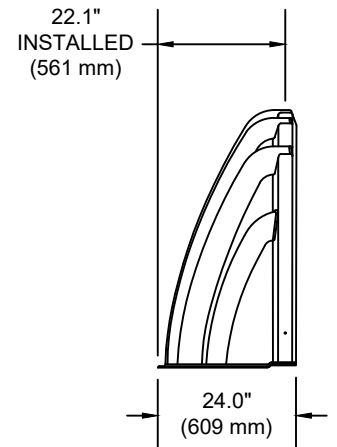
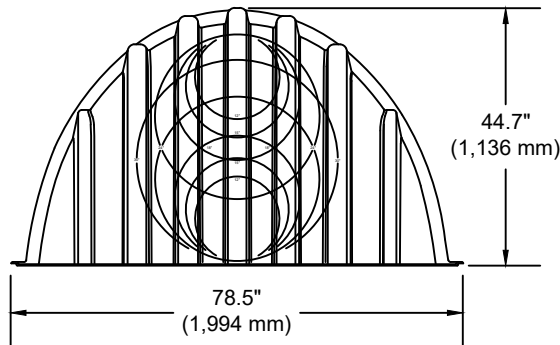


Chamber Specifications	
Chamber Size (L x W x H)	88.7" x 77.8" x 45.5" (2,253 x 1,976 x 1,156 mm)
Installed Length	85.3" (2,167 mm)
Chamber Storage	113.6 ft ³ (3.22 m ³)
Min. Installed Storage*	180.0 ft ³ (5.10 m ³)
Weight	127 lbs (57.6 kg)
Chambers / Pallet	19
Approx. Weight / Pallet	2,600 lbs (1,179 kg)



End Cap Specifications	
End Cap Size (L x W x H)	24.0" x 78.5" x 44.7" (609 x 1,994 x 1,136 mm)
Installed Length	22.1" (561 mm)
End Cap Storage	15.3 ft ³ (0.43 m ³)
Min. Installed Storage*	46.0 ft ³ (1.30 m ³)
Weight	52 lbs (23.6 kg)



*ASSUMES 12" (300 mm) STONE ABOVE CHAMBERS/END CAPS, 9" (230 mm) OF STONE FOR FOUNDATION STONE, 8" (200 mm) OF STONE BETWEEN CHAMBERS/END CAPS, 6" (150 mm) OF STONE PERIMETER IN FRONT OF END CAPS AND 40% STONE POROSITY.

THIS DETAIL DEPICTS RECOMMENDED INSTALLATION PRACTICES AND IS NOT INTENDED TO SUPERSEDE ANY NATIONAL, STATE OR LOCAL SPECIFICATIONS. PRINSCO BEARS NO RESPONSIBILITY FOR ANY ALTERATIONS, REVISION AND/OR DEVIATION FROM THIS STANDARD DETAIL. PRINSCO HAS NOT PERFORMED ANY ENGINEERING OR DESIGN SERVICE FOR THIS PROJECT. THE DESIGN ENGINEER SHALL REVIEW THESE DETAILS PRIOR TO CONSTRUCTION TO VERIFY SUITABILITY. © PRINSCO, INC.



1717 16TH ST. NE
WILLMAR, MN 56201
www.prinSCO.com

TITLE: HYDROSTOR HS180 - SPECIFICATION		
DRAWN BY: TJW	DATE: 04-Sep-20	DRAWING NUMBER: D-7-201
SCALE: NTS	SHEET: 1 OF 1	