

NOTES:

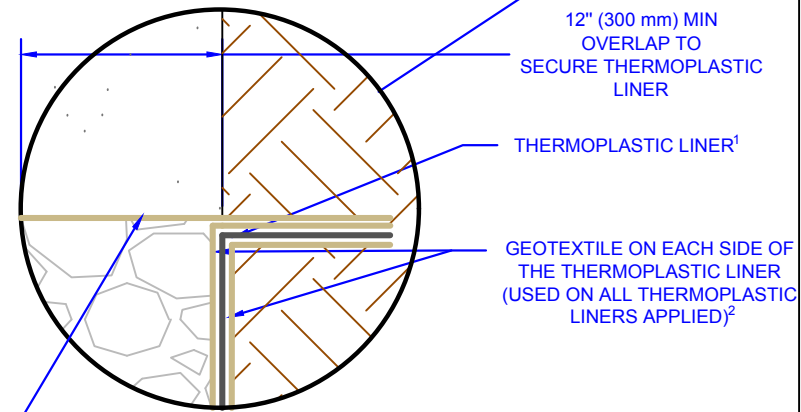
REFERENCE "TYPICAL CROSS SECTION HYDROSTORE HS75 CHAMBER (D-7-300)" FOR ALL ACCEPTABLE FILL MATERIAL

¹THERMOPLASTIC LINER ON BOTTOM AND SIDES OF SYSTEM ONLY

¹THERMOPLASTIC LINERS OPTIONS INCLUDE:

- POLYVINYL CHLORIDE (PVC), 30 MIL (0.75 mm) PVC
- LINEAR LOW DENSITY POLYETHYLENE (LLDPE), 30 MIL (0.75 mm) LLDPE
- REINFORCED POLYPROPYLENE (RPP), EPDM, AND XR-5

² 6 oz (203 g/m²) NON-WOVEN GEOTEXTILE SHALL BE PLACED ON BOTH SIDES OF THERMOPLASTIC TO PROTECT AGAINST ANGULAR AGGREGATE ON THE WATER SIDE AND FROM PROTRUSION ON THE SOIL SIDE AT ANY LOCATION IN THE SYSTEM (SEE THERMOPLASTIC LINER DETAILS)



ONE LAYER OF 6 oz (203 g/m²) NON-WOVEN GEOTEXTILE ABOVE EMBEDMENT BACKFILL

THERMOPLASTIC LINER DETAIL

THIS DETAIL DEPICTS RECOMMENDED INSTALLATION PRACTICES AND IS NOT INTENDED TO SUPERSEDE ANY NATIONAL, STATE OR LOCAL SPECIFICATIONS. PRINSCO BEARS NO RESPONSIBILITY FOR ANY ALTERATIONS, REVISION AND/OR DEVIATION FROM THIS STANDARD DETAIL. PRINSCO HAS NOT PERFORMED ANY ENGINEERING OR DESIGN SERVICE FOR THIS PROJECT. THE DESIGN ENGINEER SHALL REVIEW THESE DETAILS PRIOR TO CONSTRUCTION TO VERIFY SUITABILITY. © PRINSCO, INC.



TYPICAL CROSS SECTION HYDROSTOR HS180 CHAMBER

DRAWN BY: BMH
 DATE: 01/20/2016
 SCALE: NTS
 SHEET: 1 OF 1

DRAWING NUMBER:

D-7-210