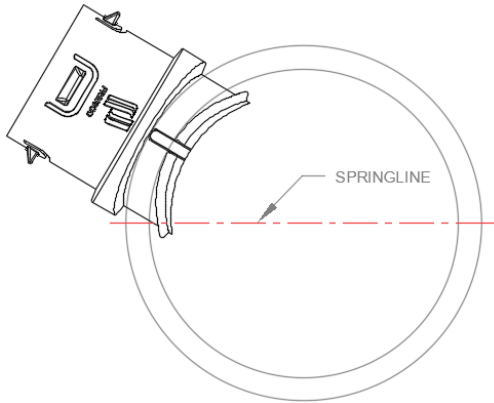


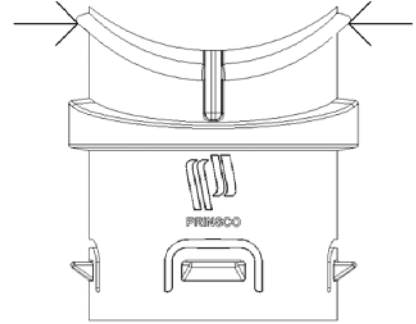
Overview

This guide provides direction for proper installation of Prinsco's Tap Tee. This will ensure simplicity in the installation process, while providing quality connection to the main line.

Step 1: Using a hole saw consistent to the lateral diameter, drill a hole into the main pipe, preferably above the springline.



Step 2: Pinch the tap tee at the high points on the curved end.



Step 3: Insert the tee into the pipe with the points first.



Step 4: Rotate the tap tee so the curve of the lugs match the ID of the main pipe



Size	Part Number	Type	Pipe Fitting
4"	TT04S	Short	6"-8"
4"	TT04L	Long	10"-12"
5"	TT05S	Short	10"-12"
5"	TT05L	Long	15"-18"
6"	TT06S	Short	15"-24"
6"	TT06L	Long	30"-36"