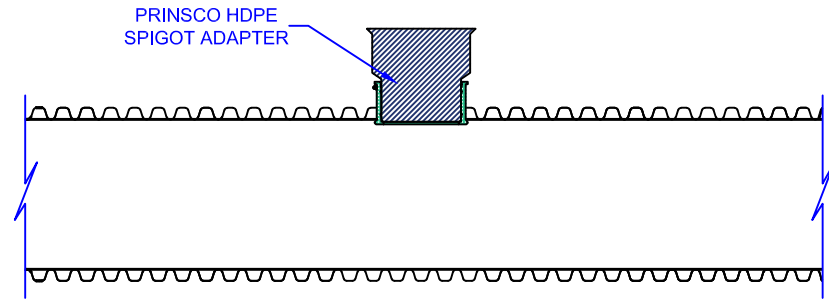
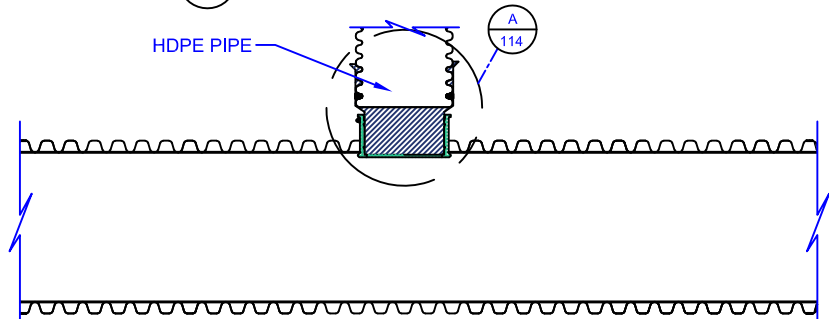


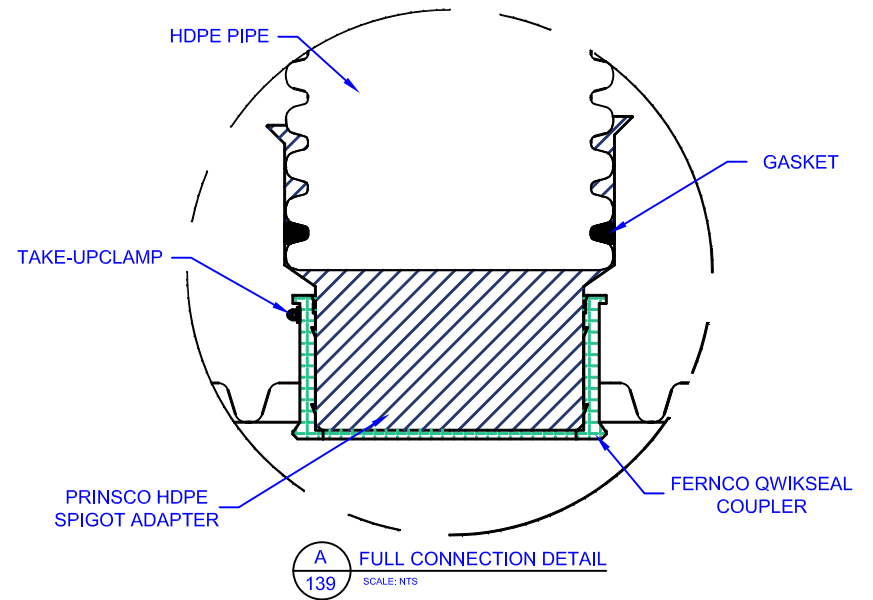
1 QWIKSEAL COUPLER INSTALLED  
139 SCALE: NTS



2 PRINSCO HDPE SPIGOT ADAPTER INSTALLED  
139 SCALE: NTS



3 COMPLETE HDPE CONNECTION  
139 SCALE: NTS



A FULL CONNECTION DETAIL  
139 SCALE: NTS

NOTES:

- FERNCO QWIKSEAL COUPLERS MEET ASTM STANDARD C923.
- FERNCO QWIKSEAL COUPLERS ARE AVAILABLE IN 4", 6", AND 8" SIZES.
- PRINSCO SPIGOT ADAPTERS ARE EITHER "GOLDFLO HDPE X SDR35 SPIGOT ADAPTER" OR "GOLDFLO HDPE X SCH40 SPIGOT ADAPTER."
- FOR MORE INFORMATION CONTACT YOUR LOCAL PRINSCO REPRESENTATIVE.

QWIKSEAL PART NUMBERS	
PIPE INLET	PART NO.
4" SDR-35	QS-4
4" SCH40	QS-4S40
6" SDR-35	QS-6
6" SCH-40	QS-6S40
8" SDR-35	QS-8

THIS DETAIL DEPICTS RECOMMENDED INSTALLATION PRACTICES AND IS NOT INTENDED TO SUPERSEDE ANY NATIONAL, STATE OR LOCAL SPECIFICATIONS. PRINSCO BEARS NO RESPONSIBILITY FOR ANY ALTERATIONS, REVISION AND/OR DEVIATION FROM THIS STANDARD DETAIL. PRINSCO HAS NOT PERFORMED ANY ENGINEERING OR DESIGN SERVICE FOR THIS PROJECT. THE DESIGN ENGINEER SHALL REVIEW THESE DETAILS PRIOR TO CONSTRUCTION TO VERIFY SUITABILITY. © PRINSCO, INC.



1717 16TH ST. NE  
WILLMAR, MN 56201  
www.prinsco.com

TITLE: HDPE PIPE - TAPPED CONNECTION - QWIKSEAL COUPLER FOR CORRUGATED		REV: B
DRAWN BY: TRA	DATE: 19-Jun-17	DRAWING NUMBER: D-1-139
SCALE: NTS	SHEET: 1 OF 1	