

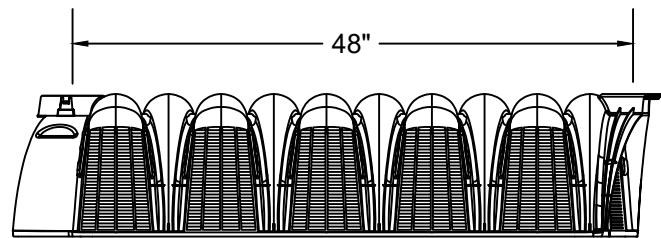
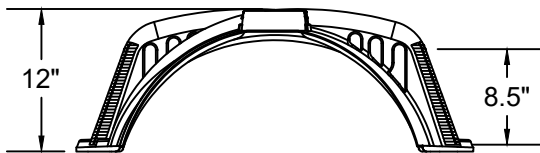
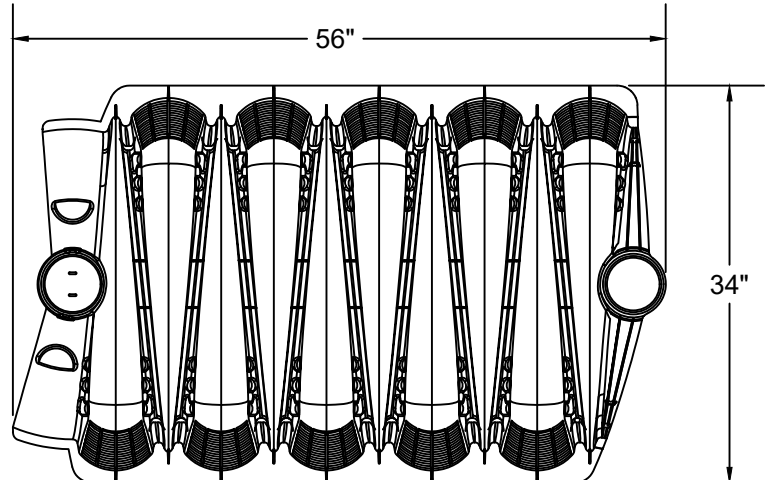


PRO 4TM / 36

onsite chambers by Prinsco

Pro4 36 Specifications

Chamber Size (L x W x H)	56" x 34" x 12" (1422 x 864 x 305 mm)
Effective Length	48" (1219 mm)
Chamber Storage	51 gal (193 L)
Sidewall Height	8.5" (216 mm)
Open Bottom Area	9.8 ft ² (0.9 m ²)
Weight	14.5 lbs (6.6 kg)



CHAMBER LOADING

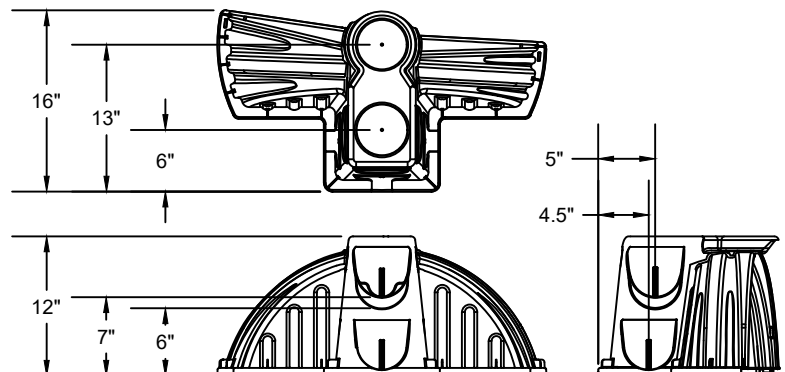
Pro4 36 chambers meet H-10 loading requirements which support axle loads up to 16,000 lbs when installed with 12" minimum cover over the chamber. See the Pro4 Installation guides for more information.

CHAMBER COUPLING

Pro4 36 chamber coupling supports a pivot of 10 degree left or right. Each coupler has a locking mechanism and the capability to support a 4" inspection port. The direction of installation is located on top of the chamber.

Pro4 36 End Cap Specifications

End Cap Size (L x W x H)	16" x 29" x 12" (406 x 737 x 305 mm)
Effective Length	13" (330 mm)
Invert Elevations	0.5", 6", 7", 12"
End Cap Storage	7 gal (27 L)
Weight	2.6 lbs (1.2 kg)



Pro4 36 End Cap can be installed at either end of the chamber.

Prinsco's Pro4 Limited Warranty is available at www.Prinsco.com or call (320) 222-6820.

For questions and technical support: Please contact Prinsco Technical Services at (320) 222-6820 or visit us at www.Prinsco.com.

THIS DETAIL DEPICTS RECOMMENDED INSTALLATION PRACTICES AND IS NOT INTENDED TO SUPERSEDE ANY NATIONAL, STATE OR LOCAL SPECIFICATIONS. PRINSCO BEARS NO RESPONSIBILITY FOR ANY ALTERATIONS, REVISION AND/OR DEVIATION FROM THIS STANDARD DETAIL. PRINSCO HAS NOT PERFORMED ANY ENGINEERING OR DESIGN SERVICE FOR THIS PROJECT. THE DESIGN ENGINEER SHALL REVIEW THESE DETAILS PRIOR TO CONSTRUCTION TO VERIFY SUITABILITY. © PRINSCO, INC.



1717 16TH ST. NE
WILLMAR, MN 56201
www.prinsco.com

TITLE: PRO4 36 - SPECIFICATION			
DRAWN BY: ZJJ	DATE: 02-Dec-21	DRAWING NUMBER: ----	
SCALE: NTS	SHEET: 1 OF 1		