

ONSITE WASTEWATER / CHAMBERS

# PRO 4/36 HC

onsite chambers by Prinsco

Pro4/36 High Capacity (HC) Chambers are a highly efficient, gravelless drainfield solutions for residential and commercial septic systems requiring increased storage volume and sidewall height. They were specifically designed for professional contractors who are looking for cost efficiency, delivery convenience, ease of installation, and application flexibility while maximizing drainfield infiltration area.

Pro4's unique, asymmetrical arches provide maximum structural performance to meet the demands of today's drainfield installations. Their interlocking coupler allows for 10° of joint articulation in either direction for contoured trench or bed applications.



## Specifications

### Pro4/36 HC Chamber

Trench Width	36"
Height	16"
Width	34"
Effective Length	48"
Weight	17 lbs
Invert Height	0.5", 10", 11", 16"
Louver Height	12.2"
Open Bottom Area	9.8 ft <sup>2</sup>
Storage Capacity	65 gal
Load Rating*	H-10

### Pro4/36 HC Endcap

Length	16.5"
Width	29"
Height	16"
Effective Length	13.5"
Invert Elevations	0.5", 10", 11", 16"
Endcap Storage	10 gal
Weight	4.5 lbs

\*See installation instructions for backfill and cover requirements.

## Prinsco Proud

Pro4 onsite chambers are manufactured by Prinsco, a family-owned company that's been in the water management industry for over 45 years. Our products serve the needs of water management contractors and their customers in major markets such as agriculture, stormwater, residential, and now, onsite. Prinsco has a values-driven culture that makes us a leader in customer service and strong relationships, something that sets us apart from the competition in every market we serve.

## Performance

### Asymmetrical Arch Design

Supports wheel loads of 16,000 lbs/axle with 12" of cover

### Material

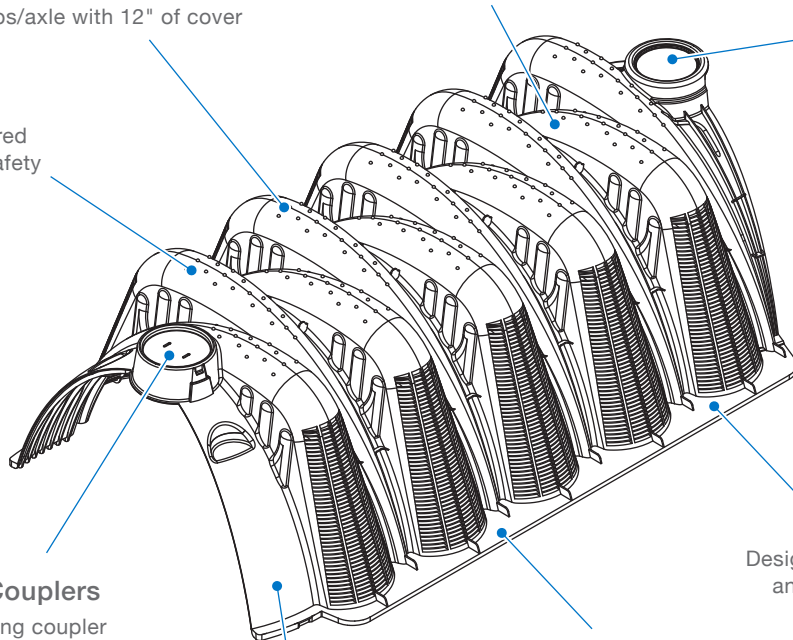
Made with high-performance polymers

### Inspection Port

Includes provision for 4" inspection port at each chamber to chamber and chamber to endcap connection

### Surface

Has non-slip textured surface for added safety



### Interlocking Couplers

Includes interlocking coupler with 10° joint articulation in either direction

### Flexibility

Designed for use in trench and bed applications

### Injection Molding

Manufactured with the latest injection molding technology

### Exceeds Standards

Exceeds International Association of Plumbing and Mechanical Officials (IAPMO) standards

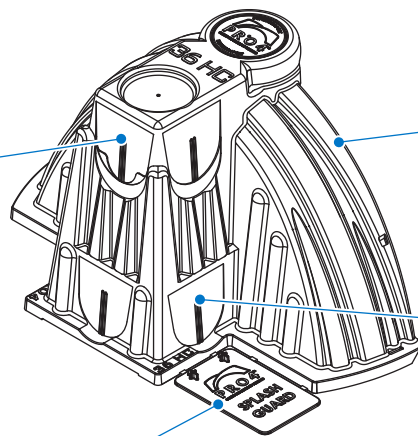
## Versatility

### Pressure Dosing

Accommodates 1 1/4" - 2" diameter pipe installed at-grade or suspended

### Interlocking

Includes interlocking feature for endcap to chamber connection



### Flexible Inletting

Supports multiple gravity, front, side, and top inletting elevations

### Splash Guard

Integral snap and set splash guard