

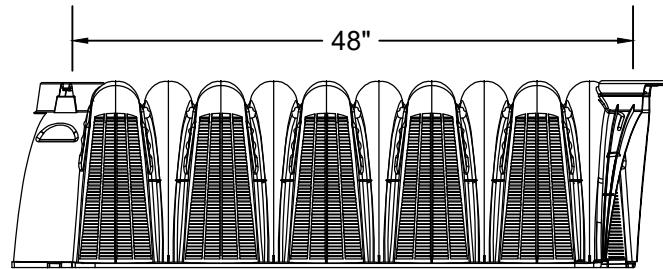
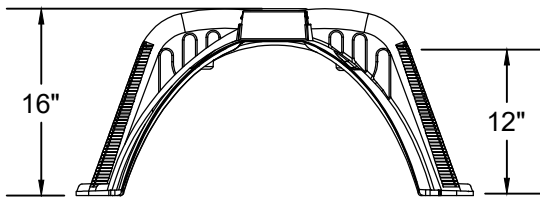
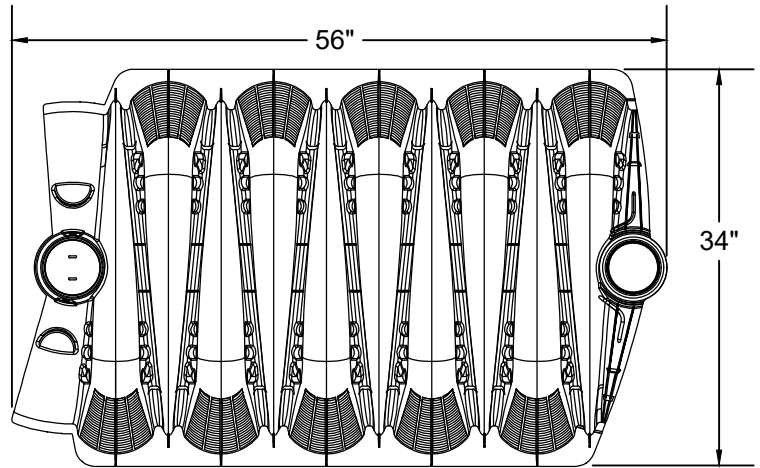


PRO 4 / 36HC

onsite chambers by Prinsco

The Pro4/36 HC chamber is designed for High Capacity installations that benefit from increased storage volume and sidewall height.

Pro4/36 HC Specifications	
Chamber Size (L x W x H)	56" x 34" x 16" (1422 x 864 x 406 mm)
Effective Length	48" (1219 mm)
Chamber Storage	65 gal (246 L)
Sidewall Height	12.2" (310 mm)
Open Bottom Area	9.8 ft ² (0.9 m ²)
Weight	17 lbs (7.7 kg)



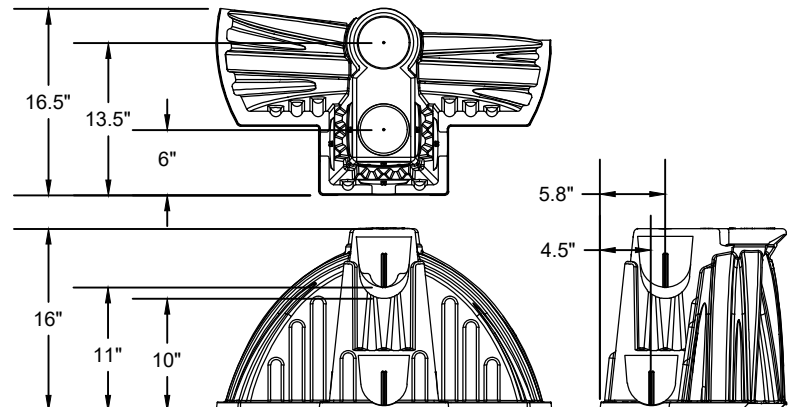
CHAMBER LOADING

Pro4/36 HC chambers meet H-10 loading requirements which support axle loads up to 16,000 lbs when installed with 12" minimum cover over the chamber. See the Pro4 Installation guides for more information.

CHAMBER COUPLING

Pro4/36 HC chamber coupling supports a pivot of 10 degrees left or right. Each coupler has a locking mechanism and the capability to support a 4" inspection port.

Pro4/36 HC End Cap Specifications	
End Cap Size (L x W x H)	16.5" x 29" x 16" (419 x 737 x 406 mm)
Effective Length	13.5" (343 mm)
Invert Elevations	0.5", 10", 11", 16"
End Cap Storage	10 gal (38 L)
Weight	4.5 lbs (2 kg)



Pro4/36 HC End Cap can be installed at either end of the HC chamber.

Prinsco's Pro4 Limited Warranty is available at www.Prinsco.com or call (320) 222-6820.

For questions and technical support: Please contact Prinsco Technical Services at (320) 222-6820 or visit us at www.Prinsco.com.

THIS DETAIL DEPICTS RECOMMENDED INSTALLATION PRACTICES AND IS NOT INTENDED TO SUPERSEDE ANY NATIONAL, STATE OR LOCAL SPECIFICATIONS. PRINSCO BEARS NO RESPONSIBILITY FOR ANY ALTERATIONS, REVISION AND/OR DEVIATION FROM THIS STANDARD DETAIL. PRINSCO HAS NOT PERFORMED ANY ENGINEERING OR DESIGN SERVICE FOR THIS PROJECT. THE DESIGN ENGINEER SHALL REVIEW THESE DETAILS PRIOR TO CONSTRUCTION TO VERIFY SUITABILITY. © PRINSCO, INC.



1717 16TH ST. NE
WILLMAR, MN 56201
www.prinsco.com

TITLE: PRO4/36 HC - SPECIFICATION DETAIL

DRAWN BY: ZJJ DATE: 05-May-22 DRAWING NUMBER:
SCALE: NTS SHEET: 1 OF 1 TN-5-009