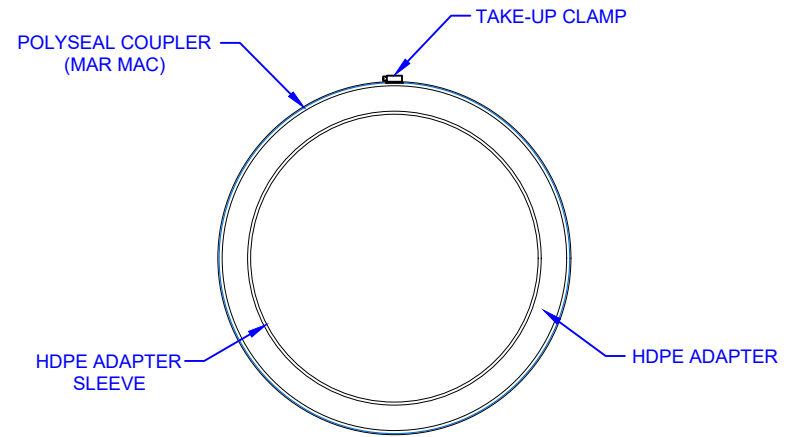
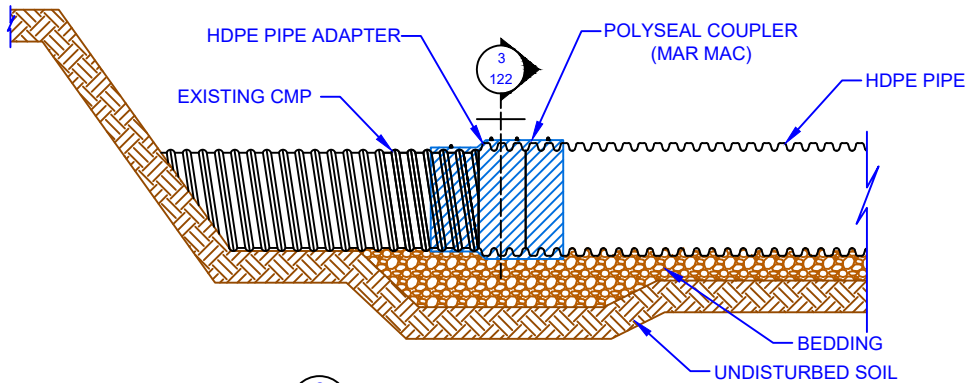


1
122
SCALE: NTS
HDPE TO CMP PRE ASSEMBLY



3
122
SCALE: NTS
POLYSEAL COUPLER SECTION DETAIL



2
122
SCALE: NTS
HDPE TO CMP ASSEMBLED

NOTES:

- ALL PIPE SHALL BE INSTALLED IN ACCORDANCE WITH ASTM D2321 - STANDARD PRACTICE FOR UNDERGROUND INSTALLATION OF FLEXIBLE THERMOPLASTIC SEWER PIPE, LATEST EDITION.
- POLYSEAL IS A REGISTERED TRADEMARK OF MAR MAC PRODUCTS INC. (WWW.MARMAC.COM).
- CMP ID DIMENSIONS SHOULD BE CHECKED TO ENSURE PROPER FIT OF ADAPTER.

THIS DETAIL DEPICTS RECOMMENDED INSTALLATION PRACTICES AND IS NOT INTENDED TO SUPERSEDE ANY NATIONAL, STATE OR LOCAL SPECIFICATIONS. PRINSCO BEARS NO RESPONSIBILITY FOR ANY ALTERATIONS, REVISION AND/OR DEVIATION FROM THIS STANDARD DETAIL. PRINSCO HAS NOT PERFORMED ANY ENGINEERING OR DESIGN SERVICE FOR THIS PROJECT. THE DESIGN ENGINEER SHALL REVIEW THESE DETAILS PRIOR TO CONSTRUCTION TO VERIFY SUITABILITY. © PRINSCO, INC.



1717 16TH ST. NE
WILLMAR, MN 56201
www.prinSCO.com

TITLE: HDPE PIPE - DISSIMILAR CONNECTION - HDPE TO CMP MARMAC			
DRAWN BY:	RMA	DATE:	31-Aug-22
SCALE:	NTS	SHEET:	1 OF 1
			DRAWING NUMBER: D-1-122