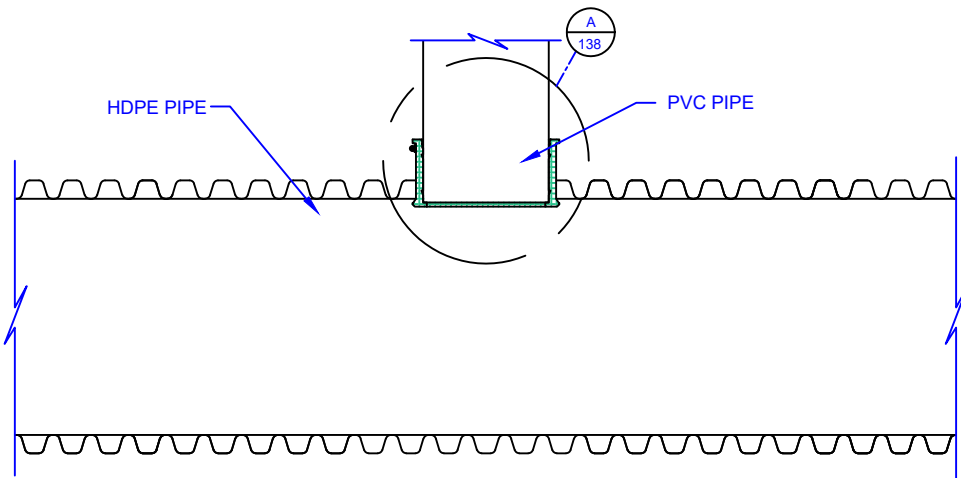
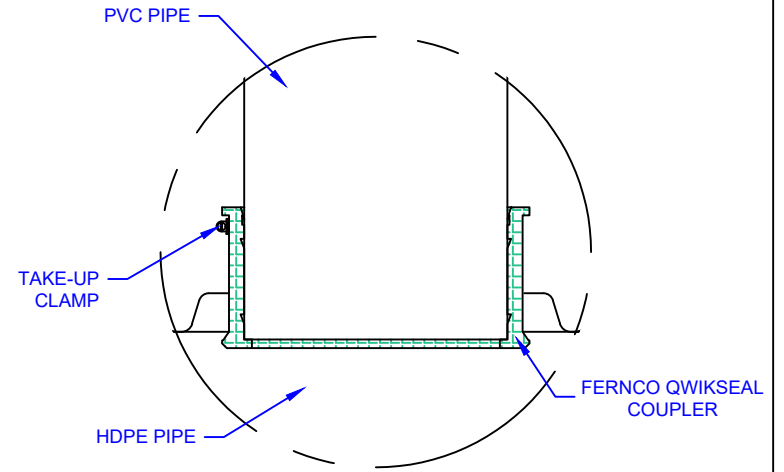


**1** QWIKSEAL COUPLER INSTALLED  
138 SCALE: NTS



**2** COUPLER AND PVC PIPE INSTALLED  
138 SCALE: NTS



**A** FULL CONNECTION DETAIL  
138 SCALE: NTS

### QWIKSEAL PART NUMBERS

PVC INLET PIPE SIZE	PART NO.	MIN. HDPE PIPE SIZE
4" SDR-35	QS-4	8"
4" SCH40	QS-4S40	8"
6" SDR-35	QS-6	10"
6" SCH-40	QS-6S40	10"
8" SDR-35	QS-8	15"

**NOTES:**

- FERNCO QWIKSEAL COUPLERS MEET ASTM STANDARD C 923.
- FERNCO QWIKSEAL COUPLERS ARE AVAILABLE IN 4", 6", AND 8" SIZES.
- FERNCO QWIKSEAL COUPLERS CAN BE USED FOR UP TO 24" HDPE CORRUGATED PIPE.
- FOR MORE INFORMATION CONTACT YOUR LOCAL PRINSCO REPRESENTATIVE.

THIS DETAIL DEPICTS RECOMMENDED INSTALLATION PRACTICES AND IS NOT INTENDED TO SUPERSEDE ANY NATIONAL, STATE OR LOCAL SPECIFICATIONS. PRINSCO BEARS NO RESPONSIBILITY FOR ANY ALTERATIONS, REVISION AND/OR DEVIATION FROM THIS STANDARD DETAIL. PRINSCO HAS NOT PERFORMED ANY ENGINEERING OR DESIGN SERVICE FOR THIS PROJECT. THE DESIGN ENGINEER SHALL REVIEW THESE DETAILS PRIOR TO CONSTRUCTION TO VERIFY SUITABILITY. © PRINSCO, INC.



1717 16TH ST. NE  
WILLMAR, MN 56201  
www.prinsco.com

TITLE: HDPE PIPE - TAPPED CONNECTION - QWIKSEAL COUPLER FOR PVC			
DRAWN BY: AED	DATE: 19-Aug-22	DRAWING NUMBER: D-1-138	
SCALE: NTS	SHEET: 1 OF 1		