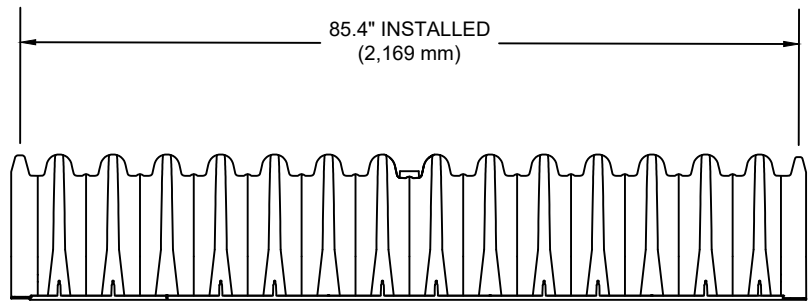
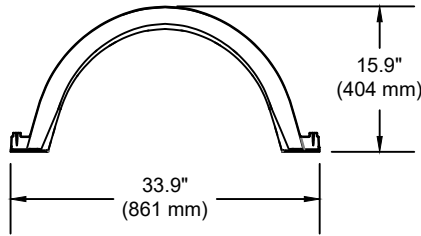
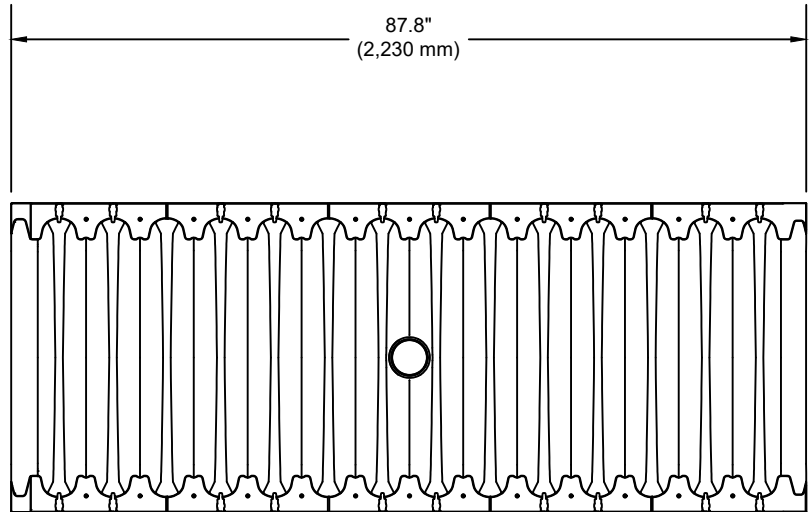
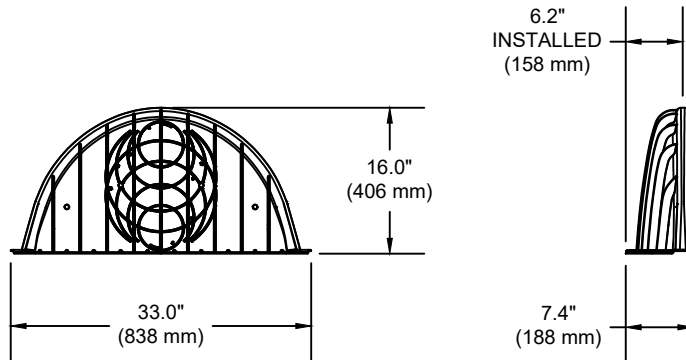


Chamber Specifications	
Chamber Size (L x W x H)	87.8" x 33.9" x 15.9" (2,230 x 861 x 404 mm)
Installed Length	85.4" (2,169 mm)
Chamber Storage	14.9 ft ³ (0.42 m ³)
Min. Installed Storage*	31.1 ft ³ (0.88 m ³)
Weight / Chamber	32 lbs (15 kg)
Chambers / Pallet	45
Approx. Weight / Pallet	1,630 lbs (739 kg)



End Cap Specifications	
End Cap Size (L x W x H)	7.4" x 33.0" x 16.0" (188 x 838 x 406 mm)
Installed Length	6.2" (158 mm)
End Cap Storage	0.47 ft ³ (0.01 m ³)
Min. Installed Storage*	5.00 ft ³ (0.14 m ³)
Weight	3.47 lbs (1.57 kg)



*ASSUMES 6" (150 mm) STONE ABOVE CHAMBERS/END CAPS, 6" (150 mm) OF STONE FOR FOUNDATION STONE, 6" (150 mm) OF STONE BETWEEN CHAMBERS/END CAPS, 12" (300 mm) OF STONE PERIMETER IN FRONT OF END CAPS AND 40% STONE POROSITY.

THIS DETAIL DEPICTS RECOMMENDED INSTALLATION PRACTICES AND IS NOT INTENDED TO SUPERSEDE ANY NATIONAL, STATE OR LOCAL SPECIFICATIONS. PRINSCO BEARS NO RESPONSIBILITY FOR ANY ALTERATIONS, REVISION AND/OR DEVIATION FROM THIS STANDARD DETAIL. PRINSCO HAS NOT PERFORMED ANY ENGINEERING OR DESIGN SERVICE FOR THIS PROJECT. THE DESIGN ENGINEER SHALL REVIEW THESE DETAILS PRIOR TO CONSTRUCTION TO VERIFY SUITABILITY. © PRINSCO, INC.



1717 16TH ST. NE
WILLMAR, MN 56201
www.prinSCO.com

TITLE: HYDROSTOR HS31 - SPECIFICATION

DRAWN BY: AED	DATE: 09-Nov-22	DRAWING NUMBER:
SCALE: NTS	SHEET: 1 OF 1	D-7-401