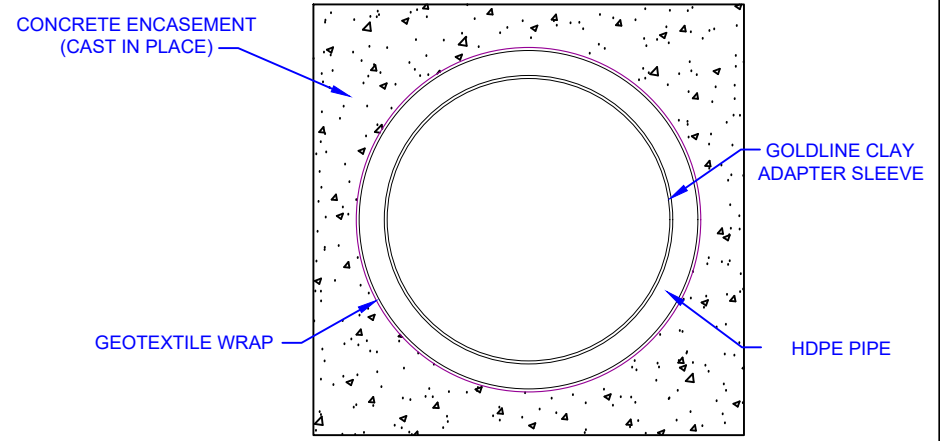
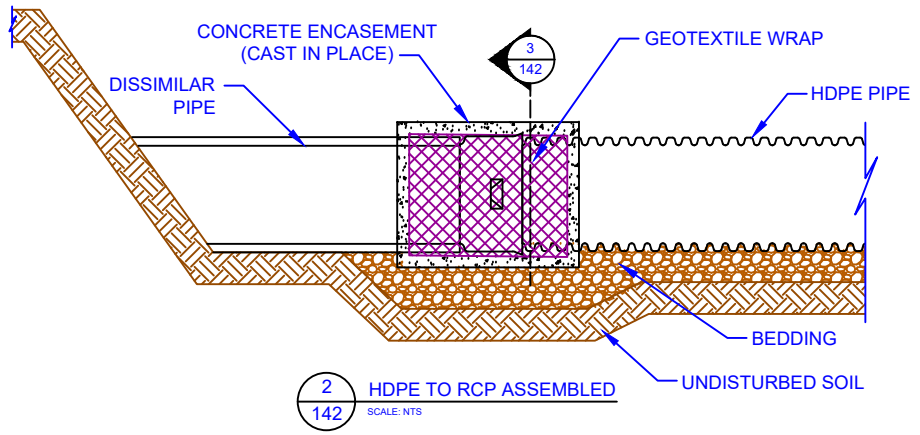


CLAY ADAPTER	
NOMINAL ID	APPROX. OD
in (mm)	in (mm)
3 (75)	2.9 (75)
4 (100)	3.5 (90)
5 (125)	5.0 (125)
6 (150)	5.5 (140)
8 (200)	7.8 (200)
10 (250)	9.5 (240)
12 (300)	11.8 (300)
15 (375)	14.8 (375)
18 (450)	17.9 (450)



- NOTES:
- ALL PIPE SHALL BE INSTALLED IN ACCORDANCE WITH ASTM D2321 - STANDARD PRACTICE FOR UNDERGROUND INSTALLATION OF FLEXIBLE THERMOPLASTIC SEWER PIPE, LATEST EDITION.
 - EXISTING PIPE ID DIMENSIONS SHOULD BE CHECKED TO ENSURE PROPER FIT OF CLAY ADAPTER.
 - ADAPTERS ARE NOT RECOMMENDED FOR DOWNSTREAM CONNECTIONS.

THIS DETAIL DEPICTS RECOMMENDED INSTALLATION PRACTICES AND IS NOT INTENDED TO SUPERSEDE ANY NATIONAL, STATE OR LOCAL SPECIFICATIONS. PRINSCO BEARS NO RESPONSIBILITY FOR ANY ALTERATIONS, REVISION AND/OR DEVIATION FROM THIS STANDARD DETAIL. PRINSCO HAS NOT PERFORMED ANY ENGINEERING OR DESIGN SERVICE FOR THIS PROJECT. THE DESIGN ENGINEER SHALL REVIEW THESE DETAILS PRIOR TO CONSTRUCTION TO VERIFY SUITABILITY. © PRINSCO, INC.



1717 16TH ST. NE
WILLMAR, MN 56201
www.prinsco.com

TITLE: HDPE PIPE - DISSIMILAR CONNECTION - CLAY ADAPTER		
DRAWN BY: NJW	DATE: 18-Jul-23	DRAWING NUMBER: D-1-142
SCALE: NTS	SHEET: 1 OF 1	