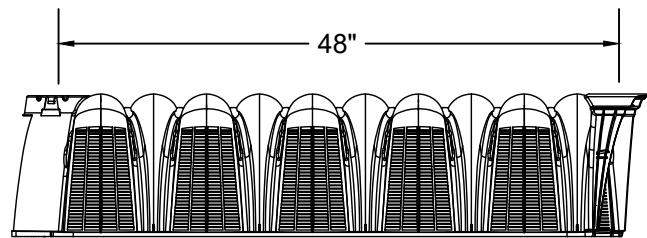
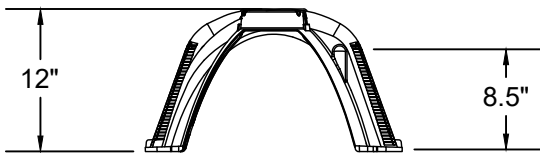
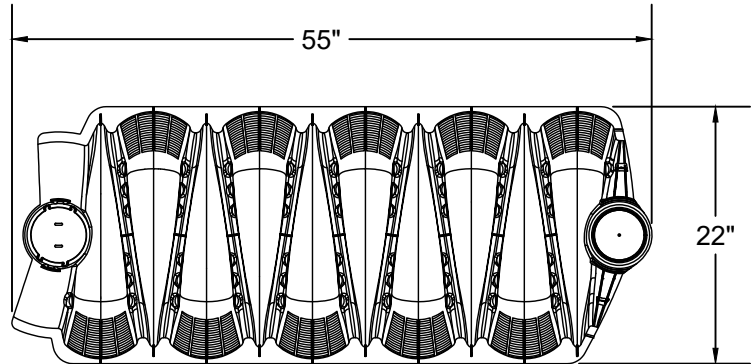


# PRO 4<sup>®</sup> / 24

onsite chambers by **PRINSCO**  
WATER MANAGEMENT SOLUTIONS

Pro4/24 Specifications	
Chamber Size (L x W x H)	55" x 22" x 12" (1397 x 559 x 305 mm)
Effective Length	48" (1219 mm)
Chamber Storage	32 gal (122 L)
Sidewall Height	8.5" (216 mm)
Open Bottom Area	6.4 ft <sup>2</sup> (0.6 m <sup>2</sup> )
Weight	11 lbs (5 kg)



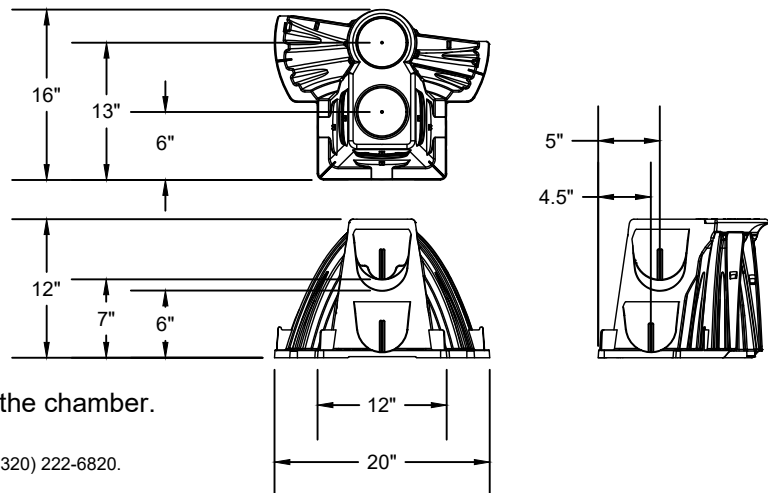
## CHAMBER LOADING

Pro4/24 chambers meet H-10 loading requirements which support axle loads up to 16,000 lbs when installed with 12" minimum cover over the chamber. See the Pro4 Installation guides for more information.

## CHAMBER COUPLING

Pro4/24 chamber coupling supports a pivot of 10 degree left or right. Each coupler has a locking mechanism and the capability to support a 4" inspection port. The direction of installation is located on top of the chamber.

Pro4/24 Endcap Specifications	
Endcap Size (L x W x H)	16" x 20" x 12" (406 x 508 x 305 mm)
Effective Length	13" (330 mm)
Invert Elevations	0.5", 6", 7", 12"
Endcap Storage	4.5 gal (17 L)
Weight	2.7 lbs (1.2 kg)



Pro4/24 Endcap can be installed at either end of the chamber.

PrinSCO's Pro4 Limited Warranty is available at [www.PrinSCO.com](http://www.PrinSCO.com) or call (320) 222-6820.

For questions and technical support: Please contact PrinSCO Technical Services at (320) 222-6820 or visit us at [www.PrinSCO.com](http://www.PrinSCO.com).

THIS DETAIL DEPICTS RECOMMENDED INSTALLATION PRACTICES AND IS NOT INTENDED TO SUPERSEDE ANY NATIONAL, STATE OR LOCAL SPECIFICATIONS. PRINSCO BEARS NO RESPONSIBILITY FOR ANY ALTERATIONS, REVISION AND/OR DEVIATION FROM THIS STANDARD DETAIL. PRINSCO HAS NOT PERFORMED ANY ENGINEERING OR DESIGN SERVICE FOR THIS PROJECT. THE DESIGN ENGINEER SHALL REVIEW THESE DETAILS PRIOR TO CONSTRUCTION TO VERIFY SUITABILITY. © PRINSCO, INC.



1717 16TH ST. NE  
WILLMAR, MN 56201  
[www.prinSCO.com](http://www.prinSCO.com)

TITLE: PRO4/24 - SPECIFICATION DETAIL		
DRAWN BY: ZJJ	DATE: 19-Feb-24	DRAWING NUMBER:
SCALE: NTS	SHEET: 1 OF 1	TN-5-012