

Onsite Chamber Comparison Sheet

Onsite Chambers perform two key functions:

- Provide a means to distribute and dispose of primarily and secondarily treated effluent into the soil.
- Provide adequate storage volume to accommodate incoming flows.

Onsite chambers accomplish this by providing the necessary open bottom area, louvered sidewall, and storage capacity via structural arch design.

Prinsco Pro4® chambers offer equivalent or greater open bottom area and louvered sidewall height compared to existing chambers.

Performance

Asymmetrical Arch Design

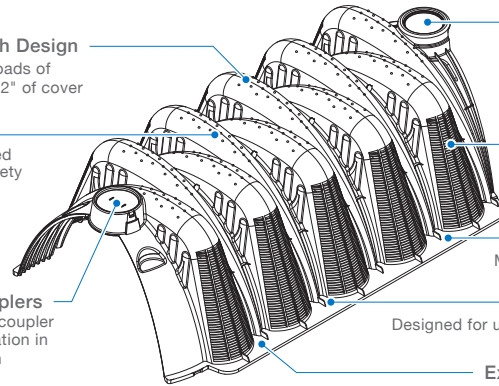
Supports wheel loads of 16,000 lbs/axle with 12" of cover

Surface

Has non-slip textured surface for added safety

Interlocking Couplers

Includes interlocking coupler with 10° joint articulation in either direction



Inspection Port

Includes provision for 4" inspection port at each chamber to chamber and chamber to endcap connection

Injection Molding

Manufactured with the latest injection molding technology

Material

Made with high-performance polymers

Flexibility

Designed for use in trench and bed applications

Exceeds Standards

Exceeds International Association of Plumbing and Mechanical Officials (IAPMO) standards

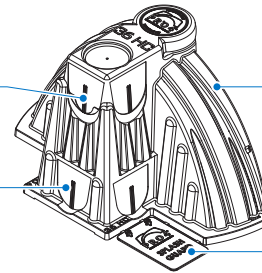
Versatility

Pressure Dosing

Accommodates 1¼" – 2" diameter pipe installed at-grade or suspended

Flexible Inletting

Supports multiple gravity, front, side, and top inletting elevations



Interlocking

Includes interlocking feature for endcap to chamber connection

Splash Guard

Integral snap and set splash guard

	Prinsco Pro4®/36HC	Equivalent	IWT Quick4 Plus HC ¹	IWT Quick4 HC ¹	IWT Arc 36 HC ¹
Height	16"	✓	14"	16"	16"
Width	34"	✓	34"	34"	34"
Effective Length	48"	✓	48"	48"	60"
Weight	17 lbs	✓	13.8 lbs	15 lbs	17 lbs
Invert Height	.5", 10", 11", 16"	✓	.8", 5.3", 8", 12.7"	11.5"	10.5"
Louver Height	12.2"	✓	12"	12.2"	10.75"
Open Bottom Area	2.46 ft ² /ft	✓	2.48 ft ² /ft	2.43 ft ² /ft	2.45 ft ² /ft
Storage Capacity	16.3 gal/ft	✓	13.5 gal/ft	15.5 gal/ft	16 gal/ft
Load Rating	H-10	✓	H-10	H-10	H-10

¹ Infiltrator Water Technology's published values

The trademarks Quick4 HC, Quick4 Plus HC and Arc 36 HC are registered trademarks of Infiltrator Water Technologies, LLC, in which Prinsco, Inc. claims no ownership interest.