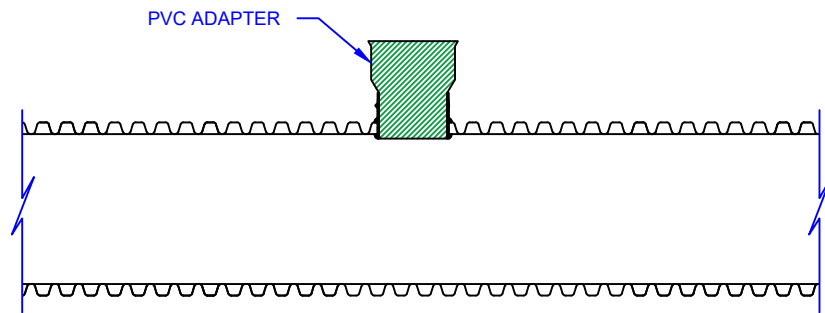
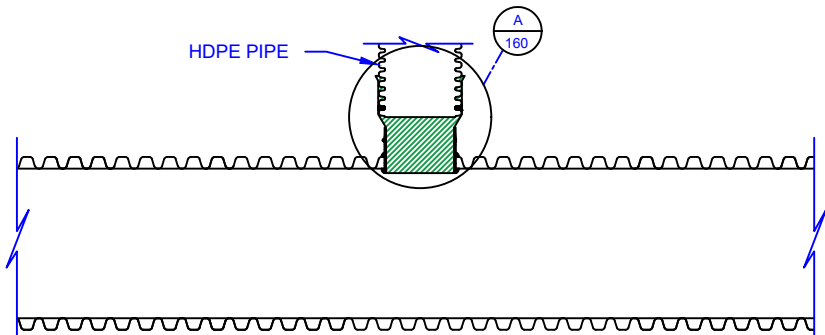


1 RUBBER SLEEVE INSTALLED
160 SCALE: NTS



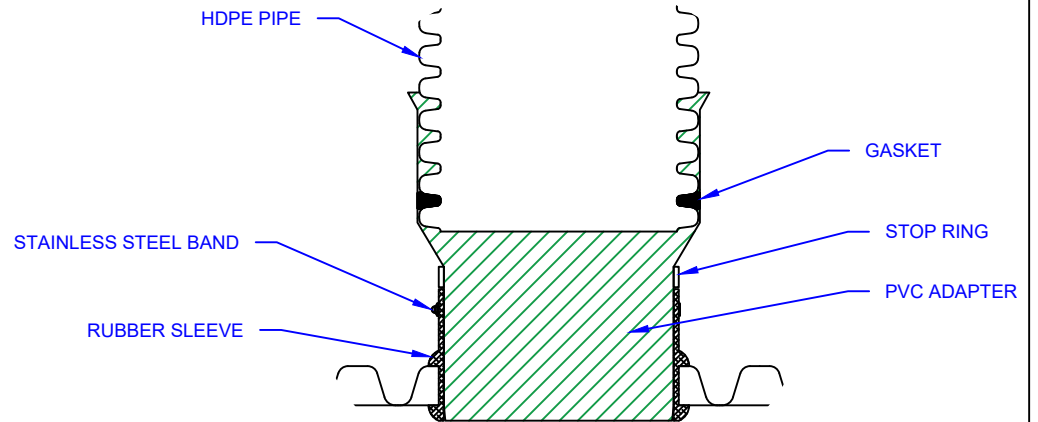
2 PVC ADAPTER INSTALLED
160 SCALE: NTS



3 COMPLETE CONNECTION
160 SCALE: NTS

NOTES:

- EZ-TEES ARE AVAILABLE IN 4", 6", 8", 10", and 12" SIZES.
- INCLUDES RUBBER SLEEVE, PVC ADAPTER, AND STAINLESS STEEL BAND.
- PVC ADAPTER SHALL MEET REQUIREMENTS OF ASTM D1784 AND ASTM F794.
- RUBBER SLEEVE AND GASKET SHALL MEET REQUIREMENTS OF ASTM F477.
- FOR MORE INFORMATION CONTACT YOUR LOCAL PRINSCO REPRESENTATIVE.



A FULL CONNECTION DETAIL
160 SCALE: NTS

EZ TEE PART TABLE	
HDPE PIPE INLET	MAINLINE DIAMETER
4"	8" - 60"
6"	10" - 60"
8"	12" - 60"
10"	15" - 60"
12"	18" - 60"

THIS DETAIL DEPICTS RECOMMENDED INSTALLATION PRACTICES AND IS NOT INTENDED TO SUPERSEDE ANY NATIONAL, STATE OR LOCAL SPECIFICATIONS. PRINSCO BEARS NO RESPONSIBILITY FOR ANY ALTERATIONS, REVISION AND/OR DEVIATION FROM THIS STANDARD DETAIL. PRINSCO HAS NOT PERFORMED ANY ENGINEERING OR DESIGN SERVICE FOR THIS PROJECT. THE DESIGN ENGINEER SHALL REVIEW THESE DETAILS PRIOR TO CONSTRUCTION TO VERIFY SUITABILITY. © PRINSCO, INC.



1717 16TH ST. NE
WILLMAR, MN 56201
www.prinsco.com

TITLE: HDPE PIPE - TAPPED CONNECTION - EZ TEE FOR CORRUGATED			
DRAWN BY: RMA	DATE: 28-Feb-25	DRAWING NUMBER: D-1-160	
SCALE: NTS	SHEET: 1 OF 1		